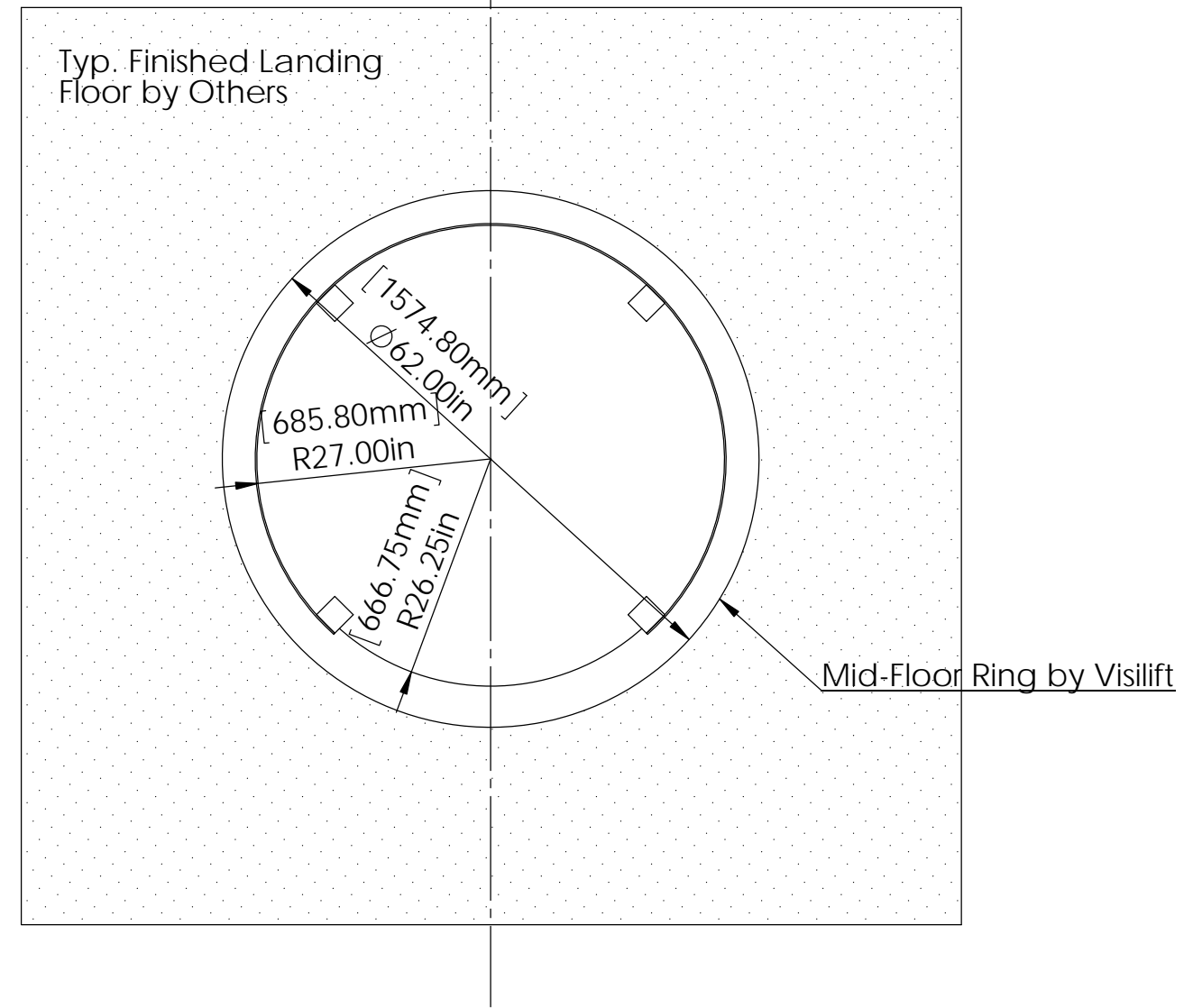
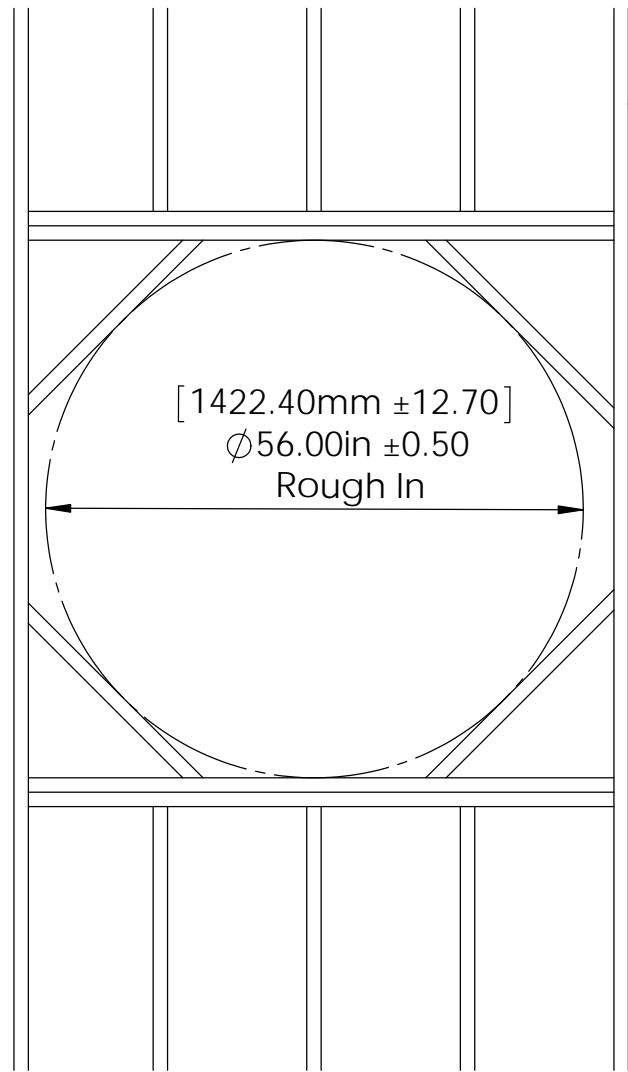


D
C
B
A

D
C
B
A

- Typ. Floor Framing By Others
- Structural Design by Others



NOTE:

PIT OPTION ROUGH IN AND FINISHED DIMS. ARE IDENTICAL TO THRU-FLOOR ROUGH IN AND FINISHED DIMS.

CLEARANCE FROM ADJACENT WALLS TO EDGE OF HOLE/PIT MUST BE MINIMUM 18" ON ALL SIDES.

PROPRIETARY AND CONFIDENTIAL
THE INFORMATION CONTAINED IN THIS DRAWING IS THE SOLE PROPERTY OF VISILIFT, LLC. ANY REPRODUCTION IN PART OR AS A WHOLE WITHOUT THE WRITTEN PERMISSION OF VISILIFT, LLC IS PROHIBITED.

		UNLESS OTHERWISE SPECIFIED:		NAME	DATE	VISILIFT, LLC		
		DIMENSIONS ARE IN INCHES TOLERANCES: FRACTIONAL ± ANGULAR: MACH ± BEND ± TWO PLACE DECIMAL ± THREE PLACE DECIMAL ±		DRAWN				TITLE: Pit and Thru-Floor Rough -In and Finished Dimensions Plan View
		INTERPRET GEOMETRIC TOLERANCING PER:		CHECKED		SIZE	DWG. NO.	
		MATERIAL		ENG APPR.		B	Thru-Floor Rough in and Finish	
NEXT ASSY		FINISH		MFG APPR.				SCALE: 1:20
APPLICATION		DO NOT SCALE DRAWING		Q.A.		Printed: 6/10/2010 Last Saved: 6/10/2011		

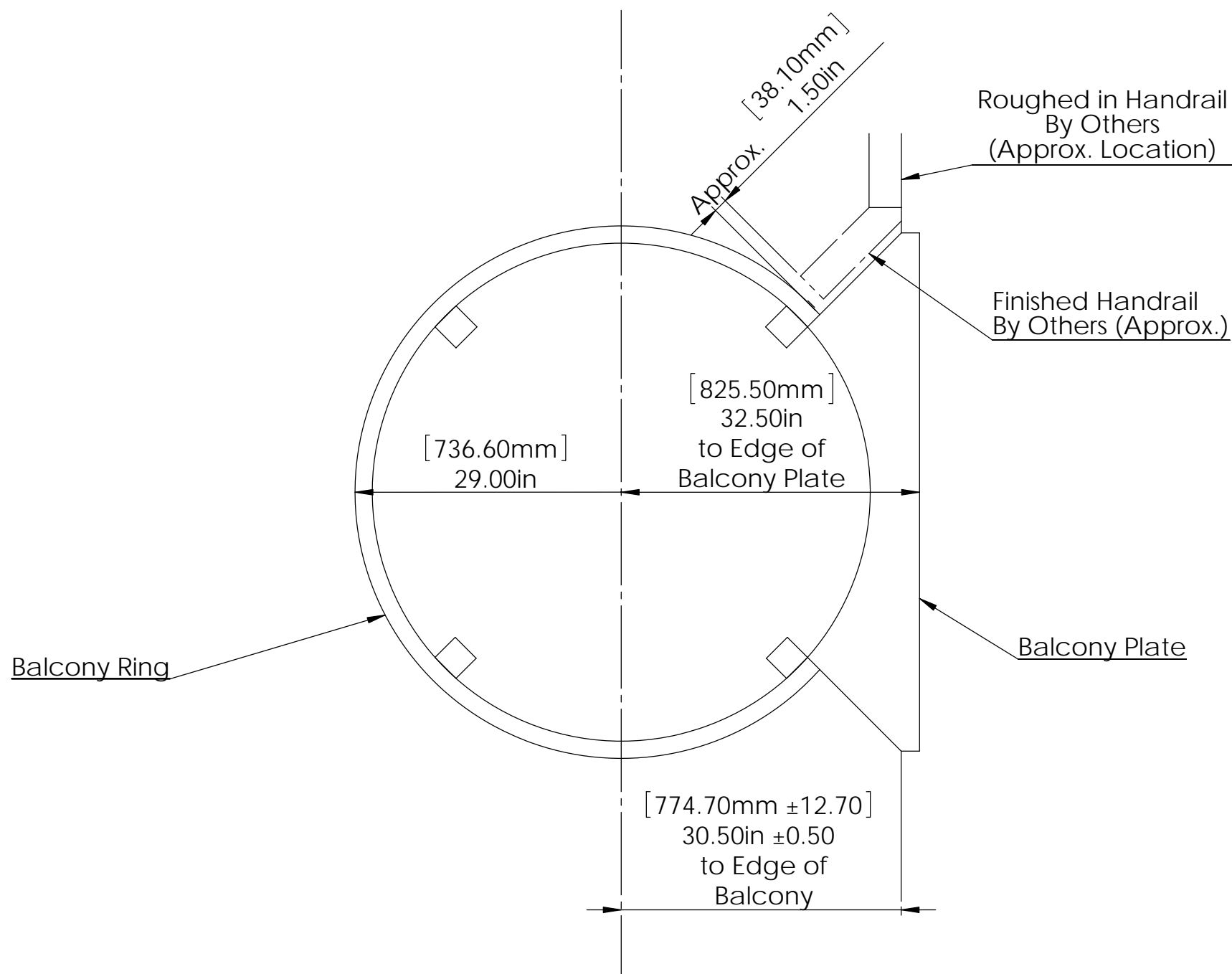
NOTE:

THIS DRAWING DOES NOT SHOW FINISHED HANDRAILING, WHICH IS REQUIRED BY CODE.

IT IS THE RESPONSIBILITY OF THE ARCHITECT/BUILDER TO PROVIDE AND INSTALL ALL REQUIRED HANDRAILING.

CANTILEVER HANDRAIL DOES NOT ATTACH TO ELEVATOR!!

HANDRAIL MAY ATTACH TO BALCONY PLATE



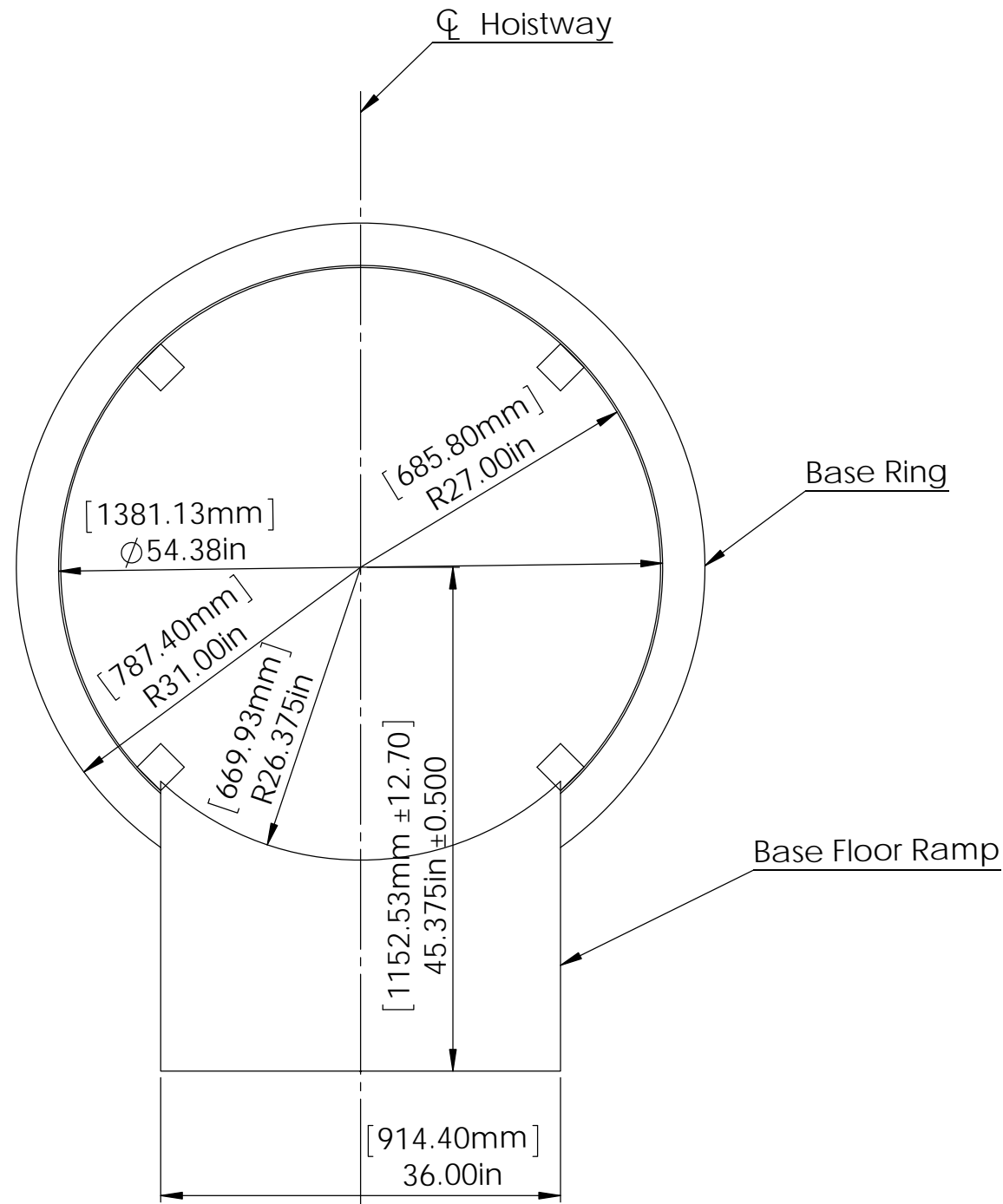
PROPRIETARY AND CONFIDENTIAL
 THE INFORMATION CONTAINED IN THIS DRAWING IS THE SOLE PROPERTY OF VISILIFT, LLC. ANY REPRODUCTION IN PART OR AS A WHOLE WITHOUT THE WRITTEN PERMISSION OF VISILIFT, LLC IS PROHIBITED.

		UNLESS OTHERWISE SPECIFIED:		NAME	DATE	VISILIFT, LLC	
		DIMENSIONS ARE IN INCHES TOLERANCES: FRACTIONAL ± ANGULAR: MACH ± BEND ± TWO PLACE DECIMAL ± THREE PLACE DECIMAL ±		DRAWN			
		INTERPRET GEOMETRIC TOLERANCING PER:		CHECKED		SIZE DWG. NO. REV B	
		MATERIAL		ENG APPR.			
NEXT ASSY		USED ON		MFG APPR.		Printed: 6/10/2010 Last Saved: 7/22/2010	
APPLICATION		DO NOT SCALE DRAWING		Q.A.			
				COMMENTS:			

NOTE:

BASE RING MOUNTS DIRECTLY TO FLOOR.

WHEN DESIGNING HVAC, ENSURE HEATED FLOOR (IF APPLICABLE) DOES NOT COME WITHIN 18 INCHES OF BASE RING OR RAMP.



PROPRIETARY AND CONFIDENTIAL
 THE INFORMATION CONTAINED IN THIS DRAWING IS THE SOLE PROPERTY OF VISILIFT, LLC. ANY REPRODUCTION IN PART OR AS A WHOLE WITHOUT THE WRITTEN PERMISSION OF VISILIFT, LLC IS PROHIBITED.

		UNLESS OTHERWISE SPECIFIED:		NAME	DATE	VISILIFT, LLC	
		DIMENSIONS ARE IN INCHES TOLERANCES: FRACTIONAL ± ANGULAR: MACH ± BEND ± TWO PLACE DECIMAL ± THREE PLACE DECIMAL ±		DRAWN			
		INTERPRET GEOMETRIC TOLERANCING PER:		CHECKED		SIZE DWG. NO. REV B	
		MATERIAL		ENG APPR.			
		FINISH		MFG APPR.		Printed: 6/10/2010 Last Saved: 7/22/2010	
NEXT ASSY	USED ON	DO NOT SCALE DRAWING		Q.A.			
APPLICATION				COMMENTS:			