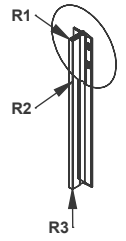
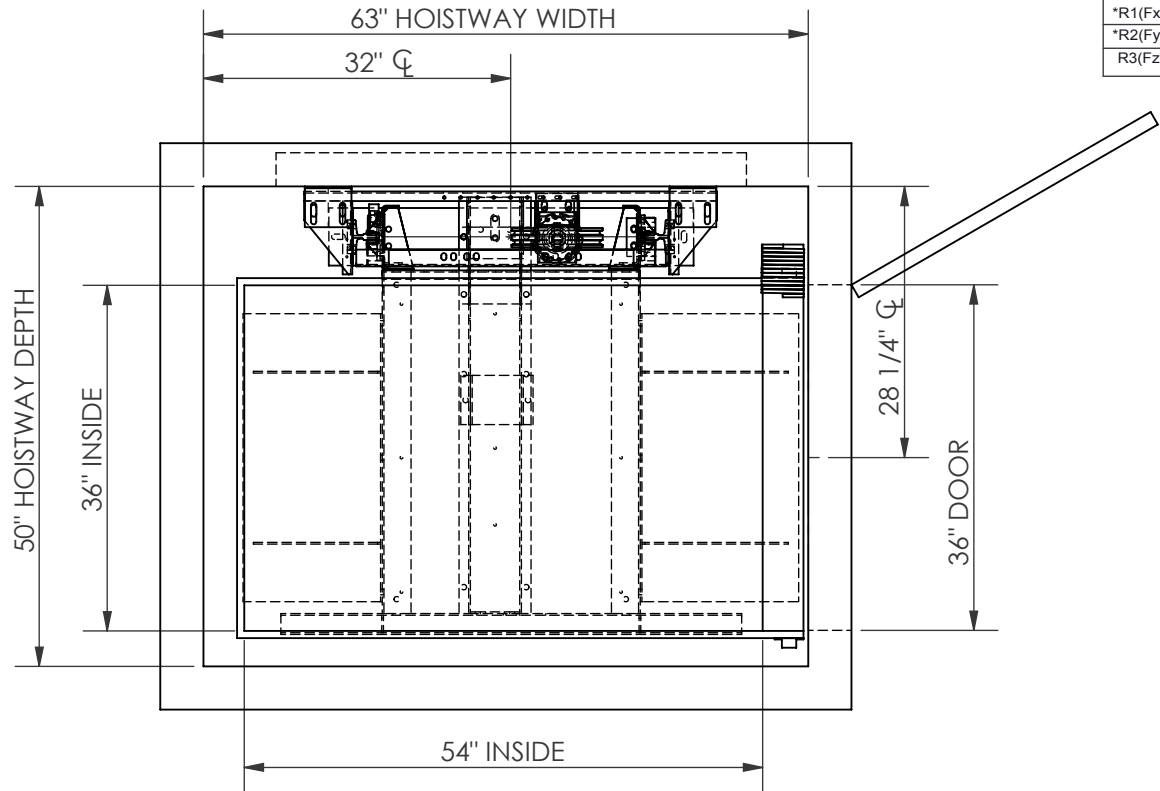
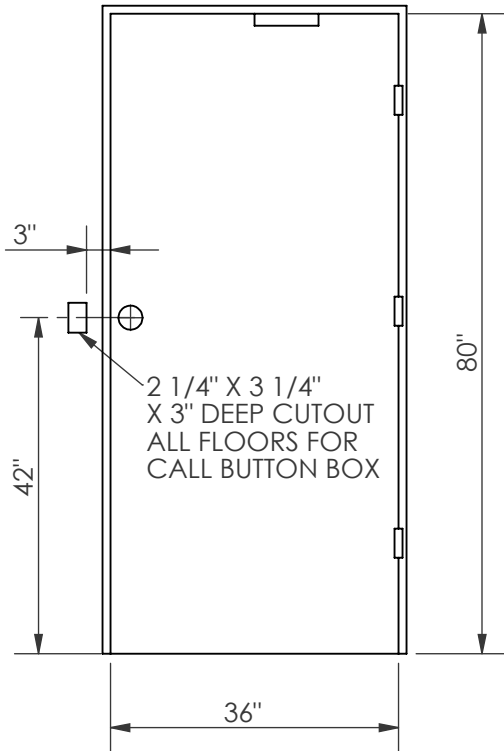
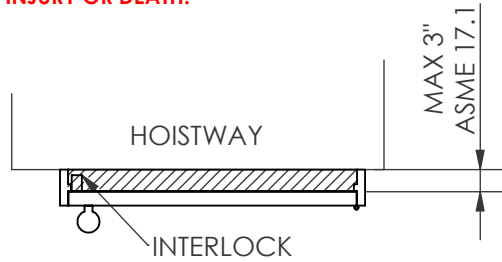


!WARNING!

SPACE BETWEEN DOOR AND HOISTWAY
MUST NOT EXCEED 3"

INTERLOCKS CONFORMING TO ASME A17.1
MUST BE INSTALLED AND ADJUSTED PER
THE MANUFACTURER'S INSTRUCTIONS.

**!FAILURE TO COMPLY
MAY RESULT IN SERIOUS
INJURY OR DEATH!**



RAIL WEIGHT: 8 lbs/ft

RAIL FORCES

*R1(Fx) 1075 lbs

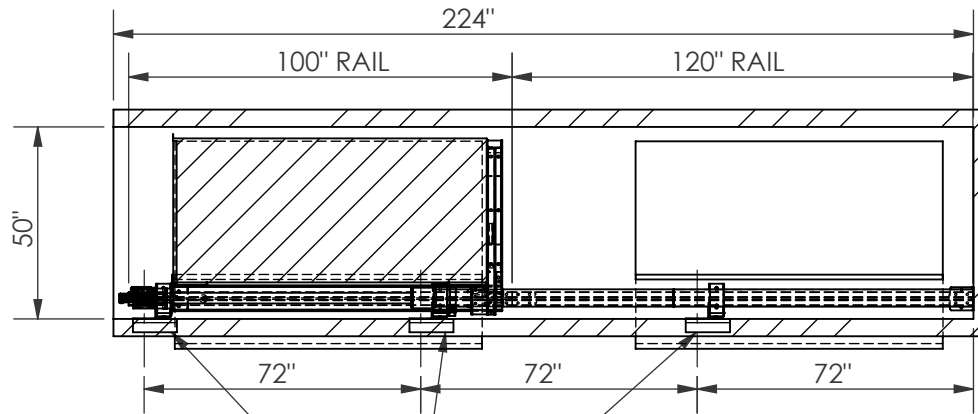
*R2(Fy) 358 lbs

R3(Fz) 2500 lbs

SIZE **A** 
America's leader in home elevators.

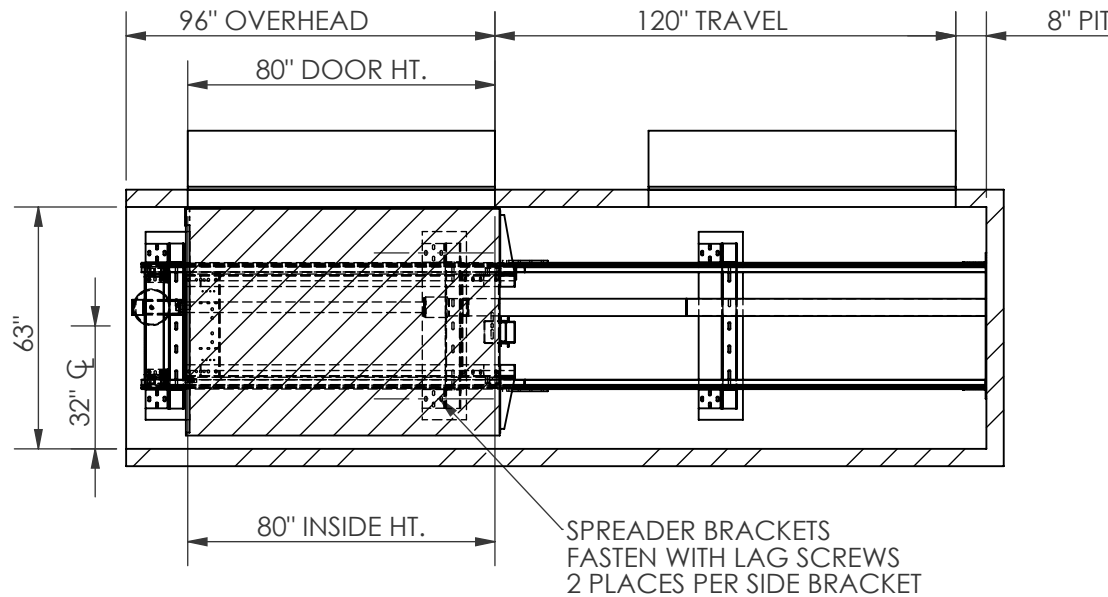
PART NO.
36 X 54, 1R

SHEET 1 OF 3
DESCRIPTION:
SWING DOORS, HYDRO



PROVIDE WALL CONSTRUCTION
SUITABLE FOR ATTACHMENT OF
RAIL BRACKETS AT SHOWN ELEVATION.
MUST BE CAPABLE OF 300LB PULLOUT
LOADING WITH MAX DEFLECTION OF 1/8".

BRACKET LOCATIONS MAY VARY
ACCORDING TO TRAVEL

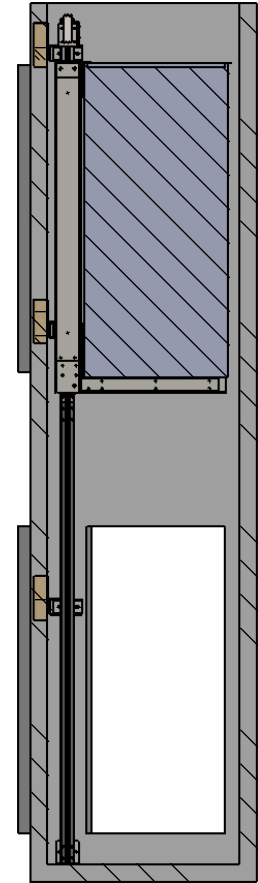
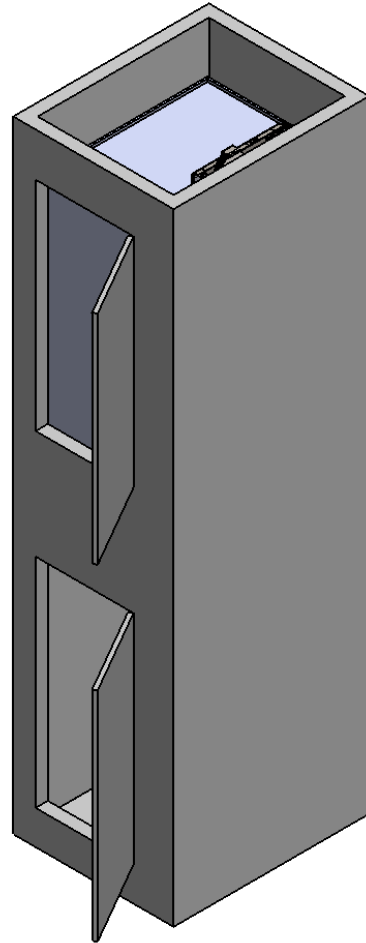
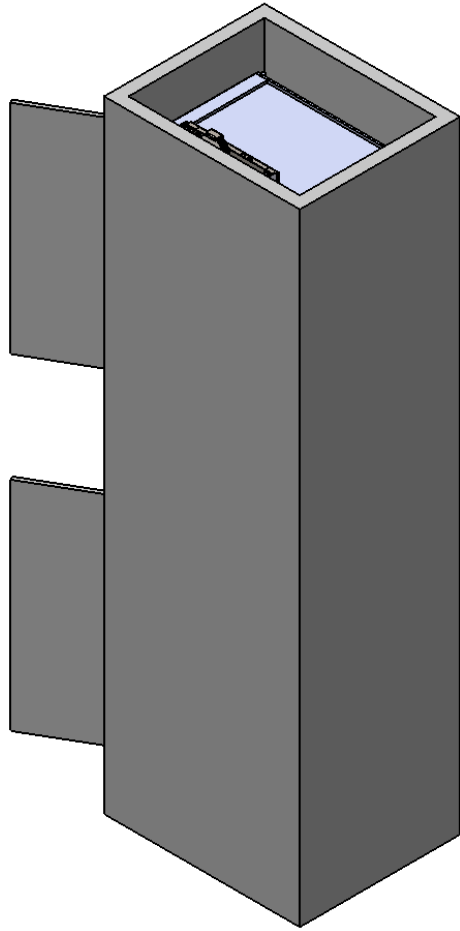


SPREADER BRACKETS
FASTEN WITH LAG SCREWS
2 PLACES PER SIDE BRACKET

SIZE
A 
America's *leader* in home elevators.

PART NO.
36 X 54, 1R

SHEET 2 OF 3
DESCRIPTION:
SWING DOORS, HYDRO



SIZE **A**  **Nationwide Lifts**
America's *leader* in home elevators.

PART NO.
36 X 54, 1R
SHEET 3 OF 3
DESCRIPTION:
SWING DOORS, HYDRO