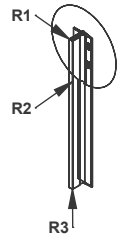
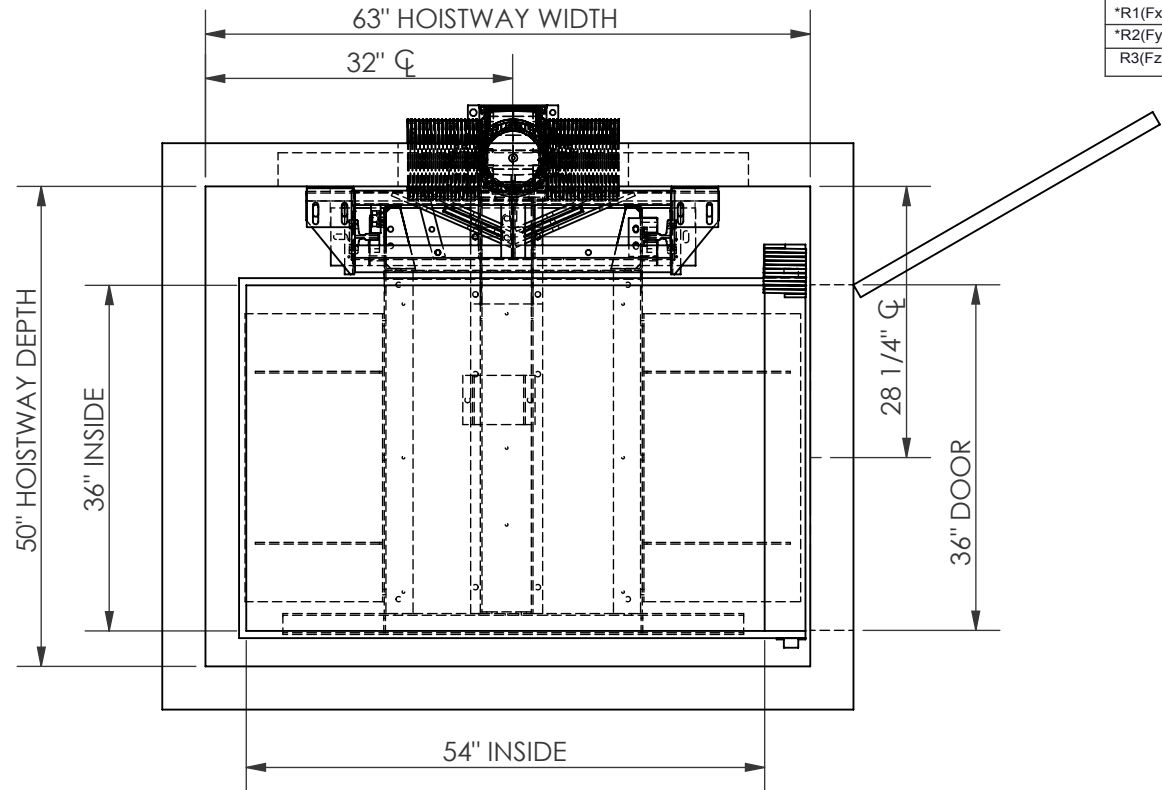
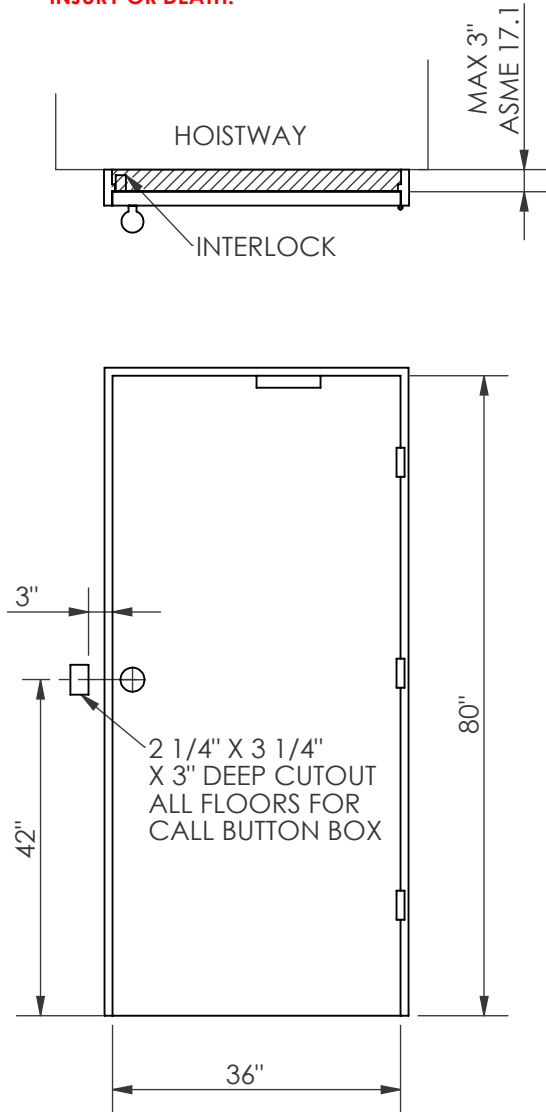


**!WARNING!**

SPACE BETWEEN DOOR AND HOISTWAY MUST NOT EXCEED 3"

INTERLOCKS CONFORMING TO ASME A17.1 MUST BE INSTALLED AND ADJUSTED PER THE MANUFACTURER'S INSTRUCTIONS.

**!FAILURE TO COMPLY MAY RESULT IN SERIOUS INJURY OR DEATH!**



RAIL WEIGHT: 8 lbs/ft

RAIL FORCES

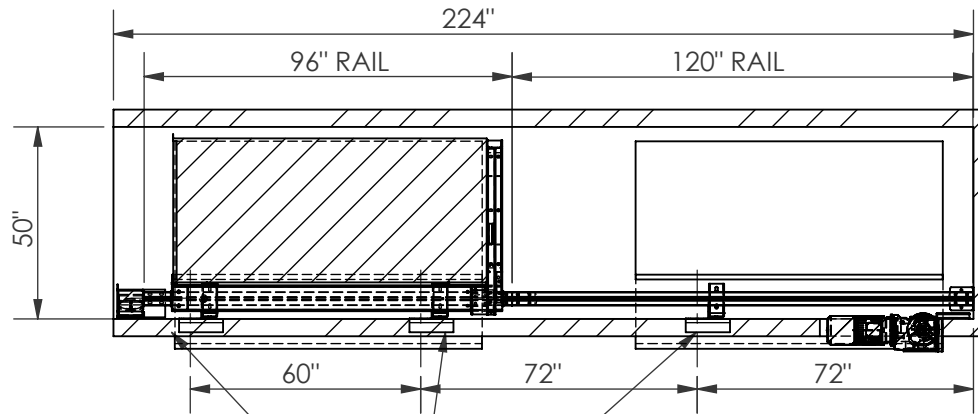
\*R1(Fx) 1075 lbs

\*R2(Fy) 358 lbs

R3(Fz) 2500 lbs

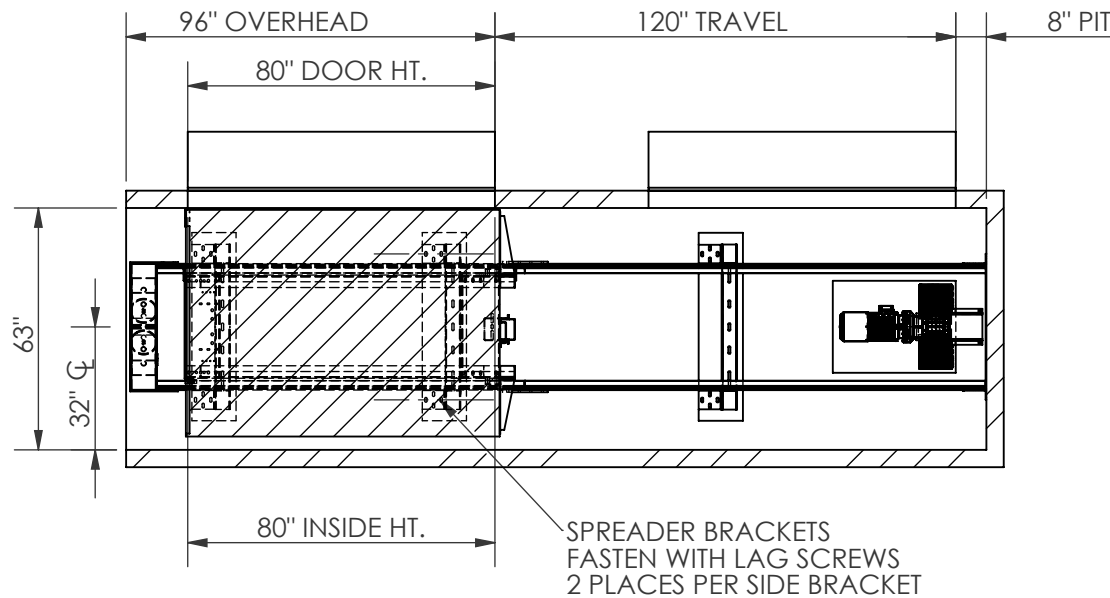
SIZE **A**  **Nationwide Lifts**  
America's *leader* in home elevators.

PART NO.  
**36 X 54, 1R**  
SHEET 1 OF 3  
DESCRIPTION:  
SWING DOORS, BASEMENT DRUM



PROVIDE WALL CONSTRUCTION  
SUITABLE FOR ATTACHMENT OF  
RAIL BRACKETS AT SHOWN ELEVATION.  
MUST BE CAPABLE OF 300LB PULLOUT  
LOADING WITH MAX DEFLECTION OF 1/8".

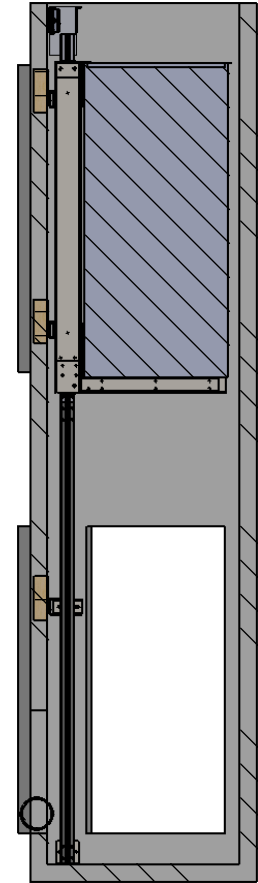
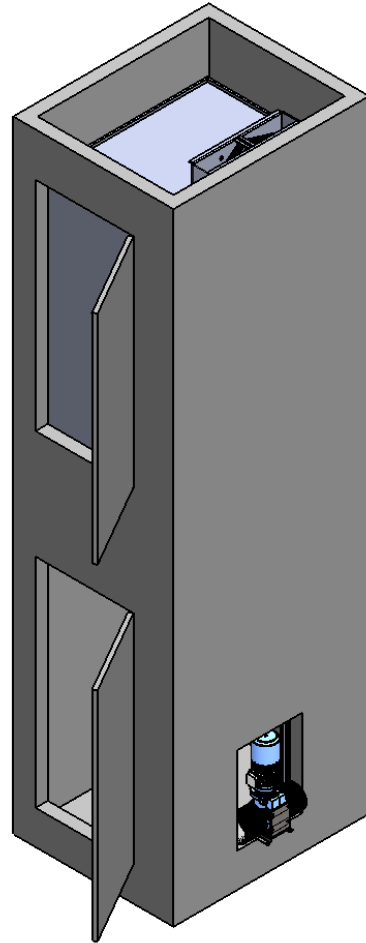
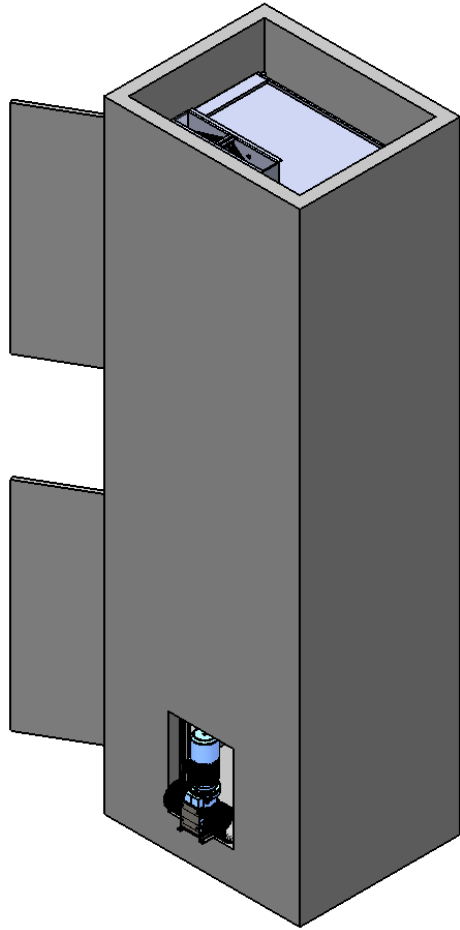
BRACKET LOCATIONS MAY VARY  
ACORDING TO TRAVEL



SPREADER BRACKETS  
FASTEN WITH LAG SCREWS  
2 PLACES PER SIDE BRACKET

SIZE  
**A**  **Nationwide Lifts**  
America's *leader* in home elevators.

PART NO.  
**36 X 54, 1R**  
SHEET 2 OF 3  
DESCRIPTION:  
SWING DOORS, BASEMENT DRUM



SIZE **A**  **Nationwide Lifts**  
America's *leader* in home elevators.

PART NO.  
**36 X 54, 1R**  
SHEET 3 OF 3  
DESCRIPTION:  
SWING DOORS, BASEMENT DRUM