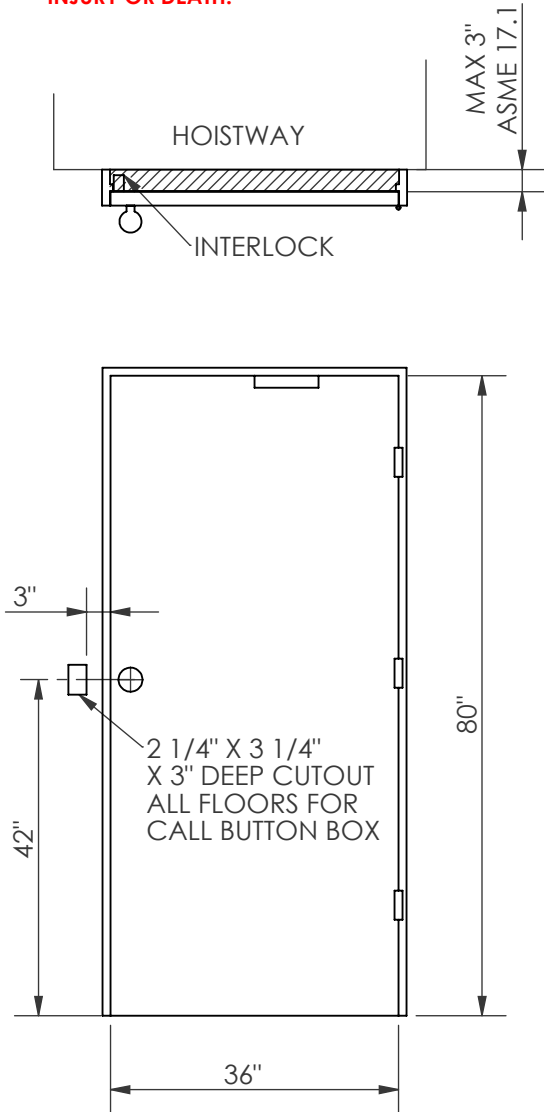


!WARNING!

SPACE BETWEEN DOOR AND HOISTWAY
MUST NOT EXCEED 3"

INTERLOCKS CONFORMING TO ASME A17.1
MUST BE INSTALLED AND ADJUSTED PER
THE MANUFACTURER'S INSTRUCTIONS.

**!FAILURE TO COMPLY
MAY RESULT IN SERIOUS
INJURY OR DEATH!**



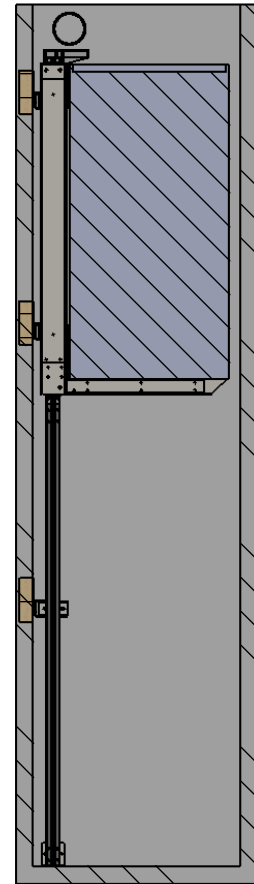
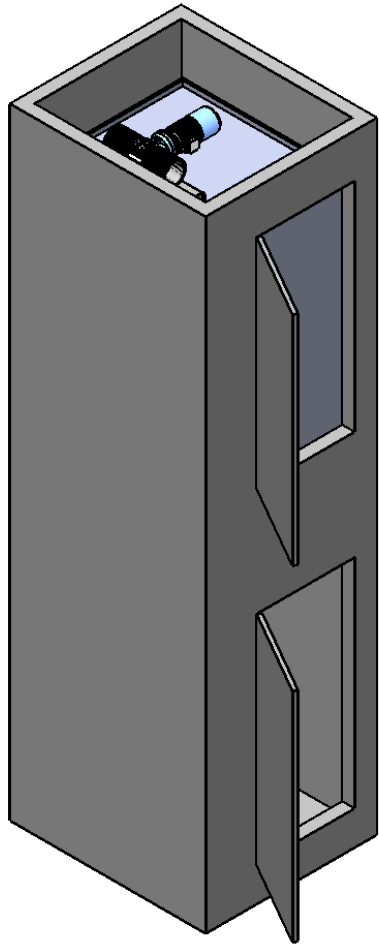
SIZE
A


Nationwide Lifts
America's *leader* in home elevators.

PART NO.
40 X 54, 1L

SHEET 1 OF 3

DESCRIPTION:
SWING DOORS, OVERHEAD DRUM



| | |
|--------------|---|
| SIZE |  Nationwide Lifts <i>America's leader in home elevators.</i> |
| A | |
| PART NO. | 40 X 54, 1L |
| | SHEET 3 OF 3 |
| DESCRIPTION: | SWING DOORS, OVERHEAD DRUM |

5



4

3

2

1