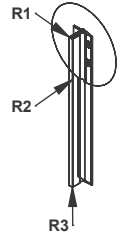
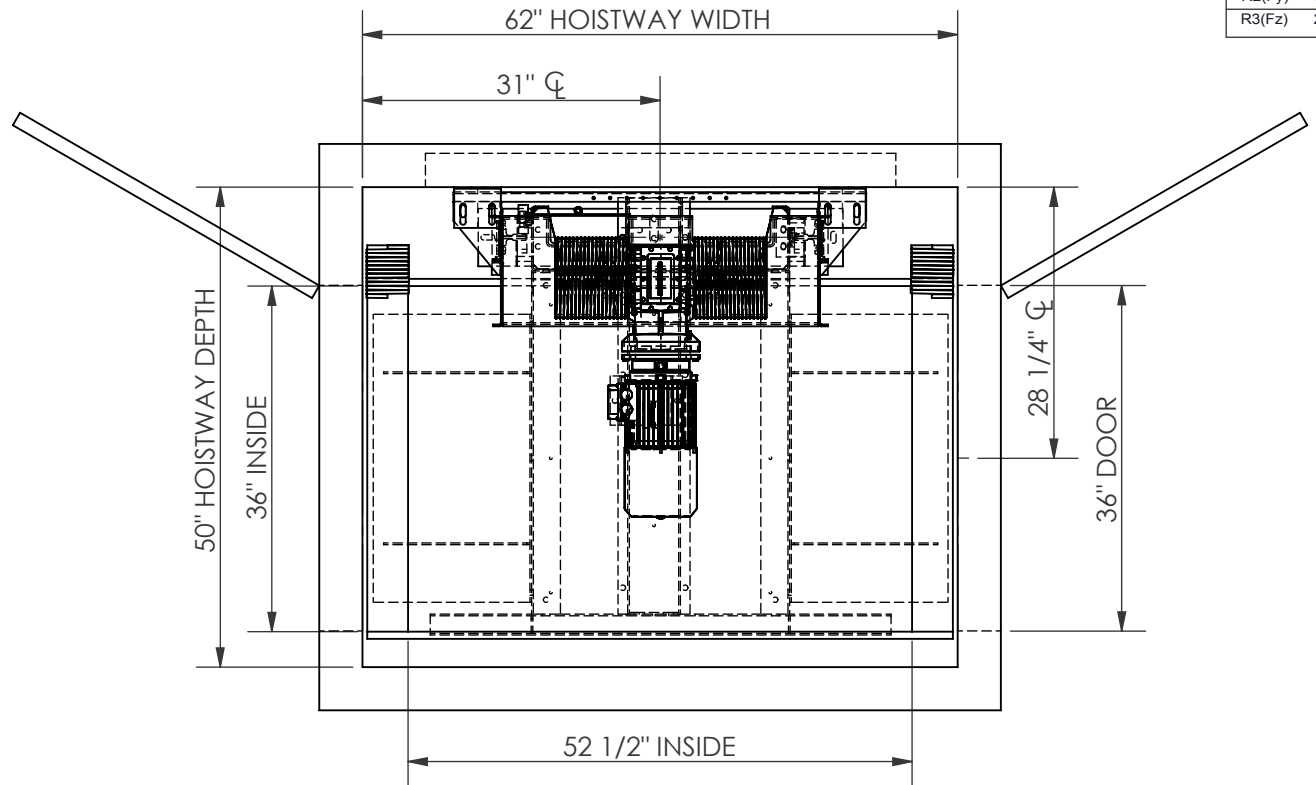
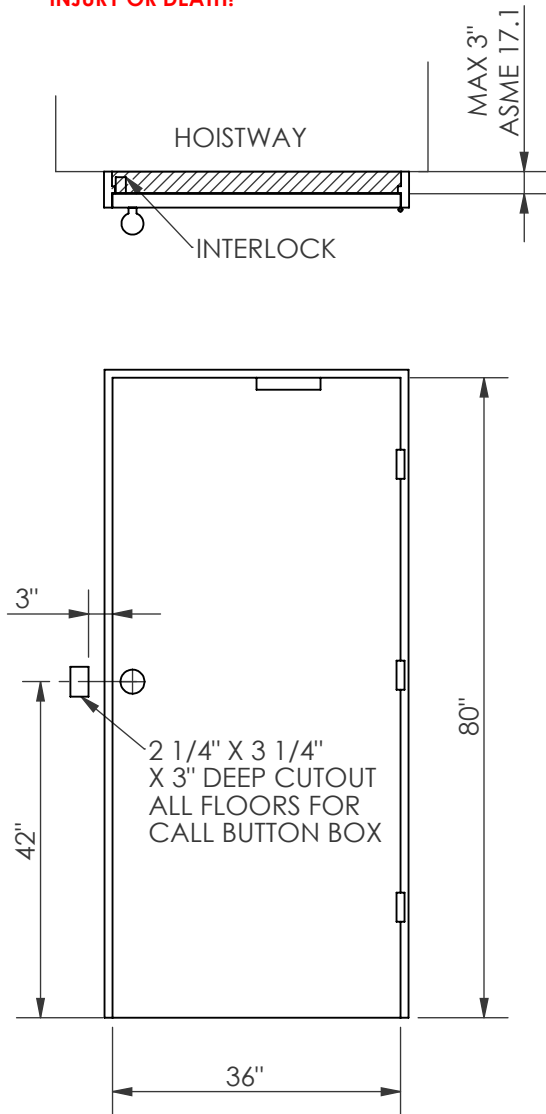


!WARNING!

SPACE BETWEEN DOOR AND HOISTWAY
MUST NOT EXCEED 3"

INTERLOCKS CONFORMING TO ASME A17.1
MUST BE INSTALLED AND ADJUSTED PER
THE MANUFACTURER'S INSTRUCTIONS.

**!FAILURE TO COMPLY
MAY RESULT IN SERIOUS
INJURY OR DEATH!**



RAIL WEIGHT: 8 lbs/ft

RAIL FORCES

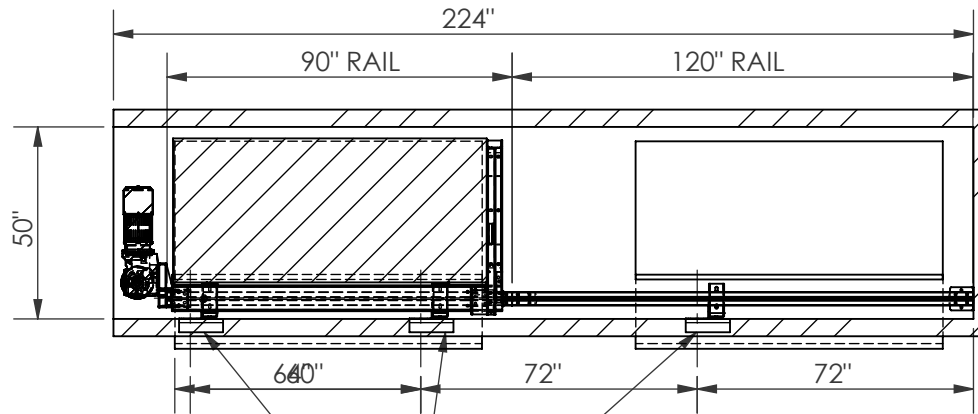
*R1(Fx) 1075 lbs

*R2(Fy) 358 lbs

R3(Fz) 2500 lbs

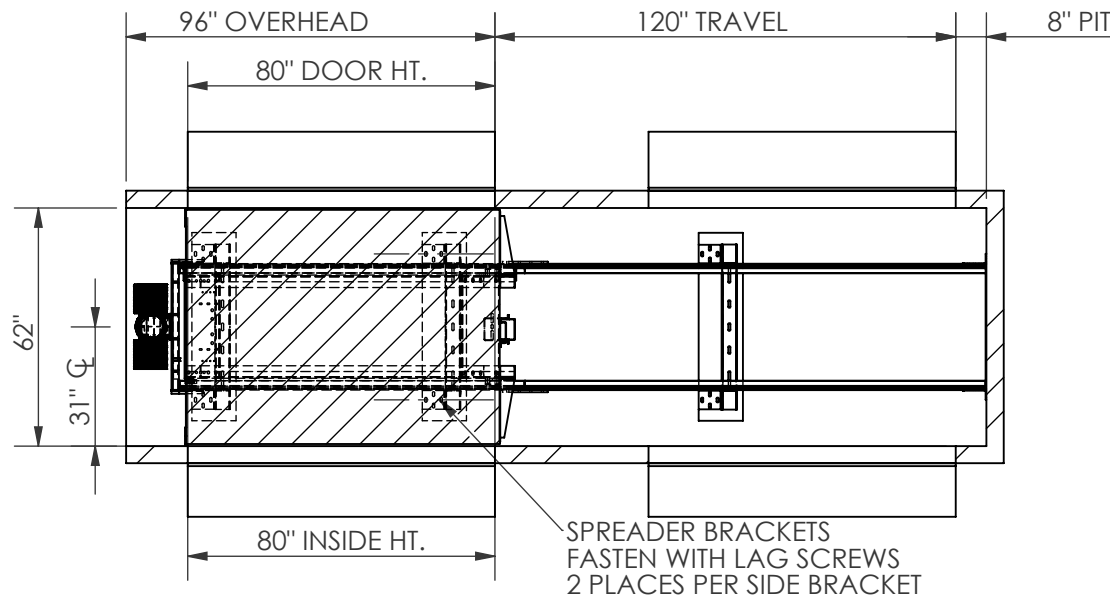
SIZE **A**  **Nationwide Lifts**
America's *leader* in home elevators.

PART NO.
36 X 54, TYPE 2
SHEET 1 OF 3
DESCRIPTION:
SWING DOORS, OVERHEAD DRUM



BRACKET LOCATIONS MAY VARY
ACCORDING TO TRAVEL

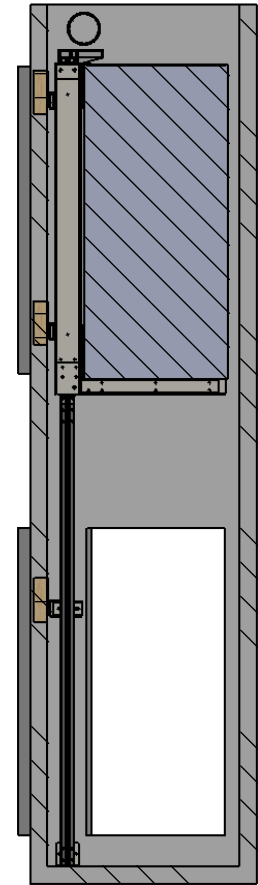
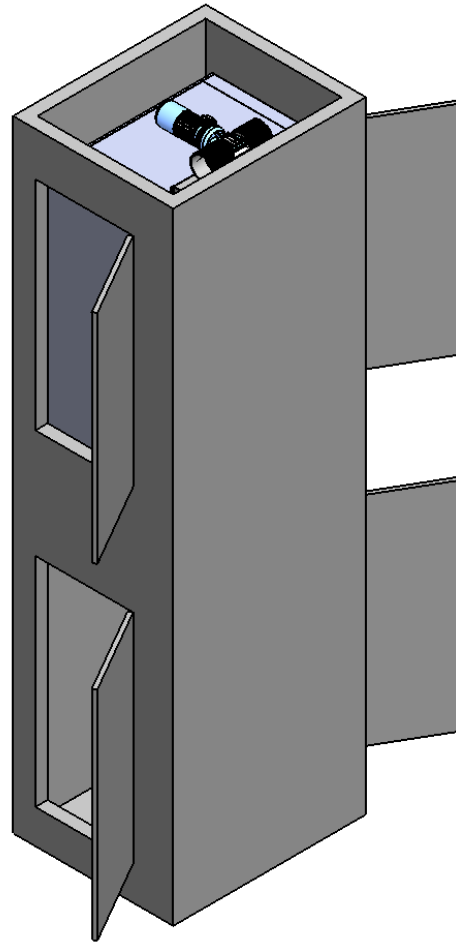
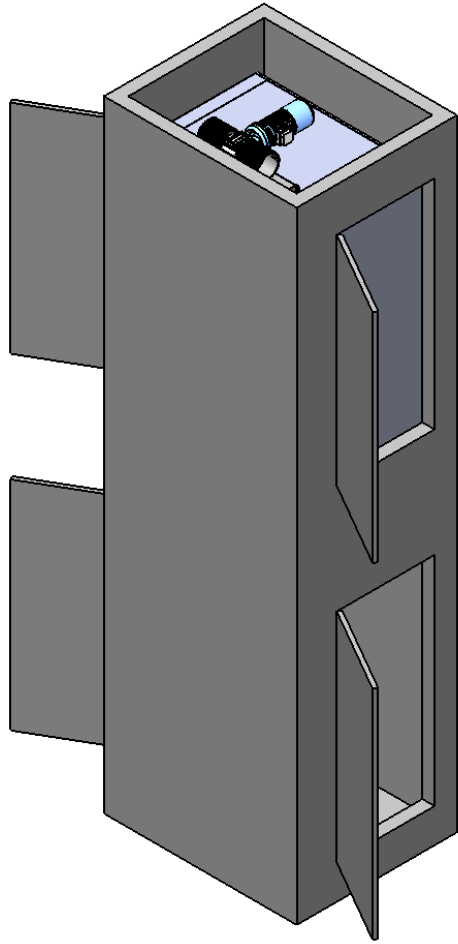
PROVIDE WALL CONSTRUCTION
SUITABLE FOR ATTACHMENT OF
RAIL BRACKETS AT SHOWN ELEVATION.
MUST BE CAPABLE OF 300LB PULLOUT
LOADING WITH MAX DEFLECTION OF 1/8\".



SPREADER BRACKETS
FASTEN WITH LAG SCREWS
2 PLACES PER SIDE BRACKET

SIZE
A  **Nationwide Lifts**
America's *leader* in home elevators.

PART NO.
36 X 54, TYPE 2
SHEET 2 OF 3
DESCRIPTION:
SWING DOORS, OVERHEAD DRUM



SIZE **A**  **Nationwide Lifts**
America's *leader* in home elevators.

PART NO.
36 X 54, TYPE 2
SHEET 3 OF 3
DESCRIPTION:
SWING DOORS, OVERHEAD DRUM