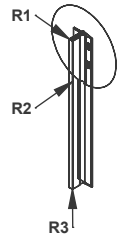
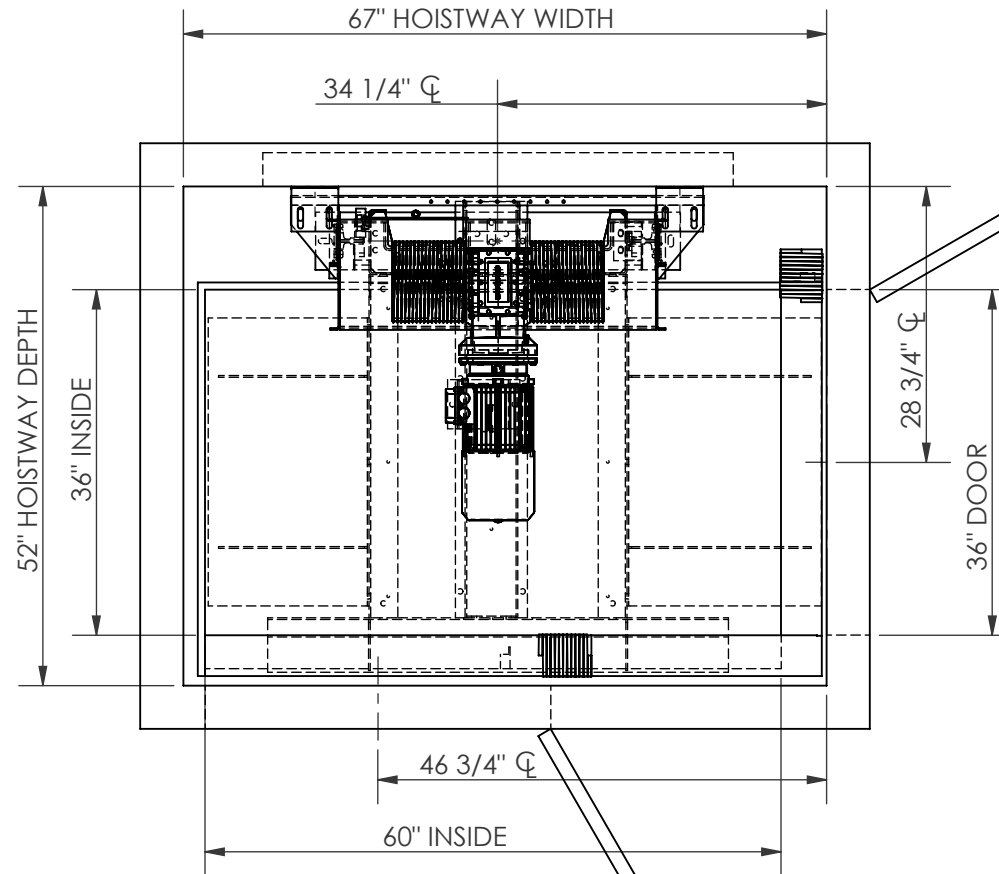
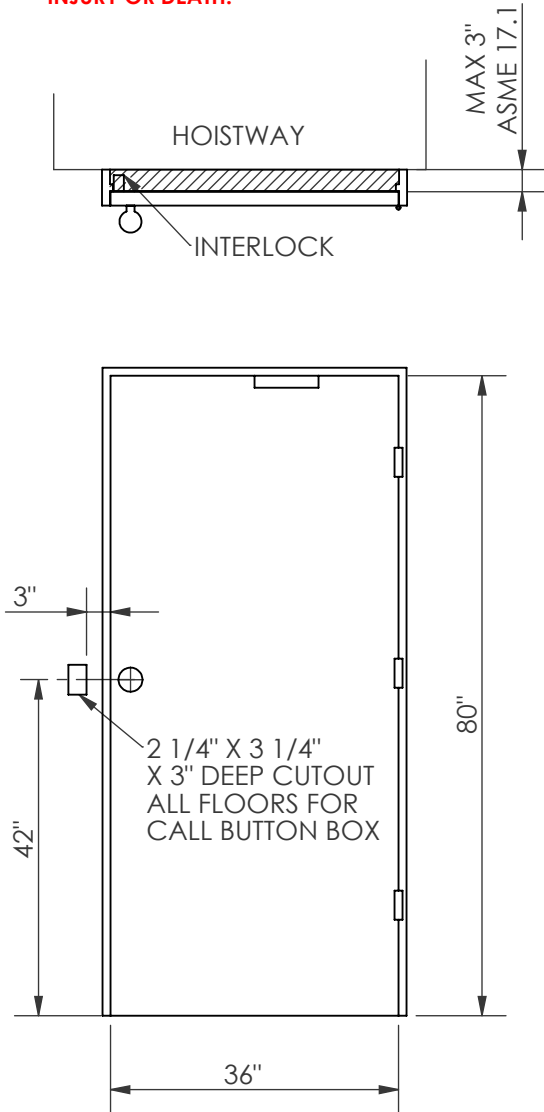


!WARNING!

SPACE BETWEEN DOOR AND HOISTWAY
MUST NOT EXCEED 3"

INTERLOCKS CONFORMING TO ASME A17.1
MUST BE INSTALLED AND ADJUSTED PER
THE MANUFACTURER'S INSTRUCTIONS.

**!FAILURE TO COMPLY
MAY RESULT IN SERIOUS
INJURY OR DEATH!**



RAIL WEIGHT: 8 lbs/ft

RAIL FORCES

*R1(Fx) 1075 lbs

*R2(Fy) 358 lbs

R3(Fz) 2500 lbs

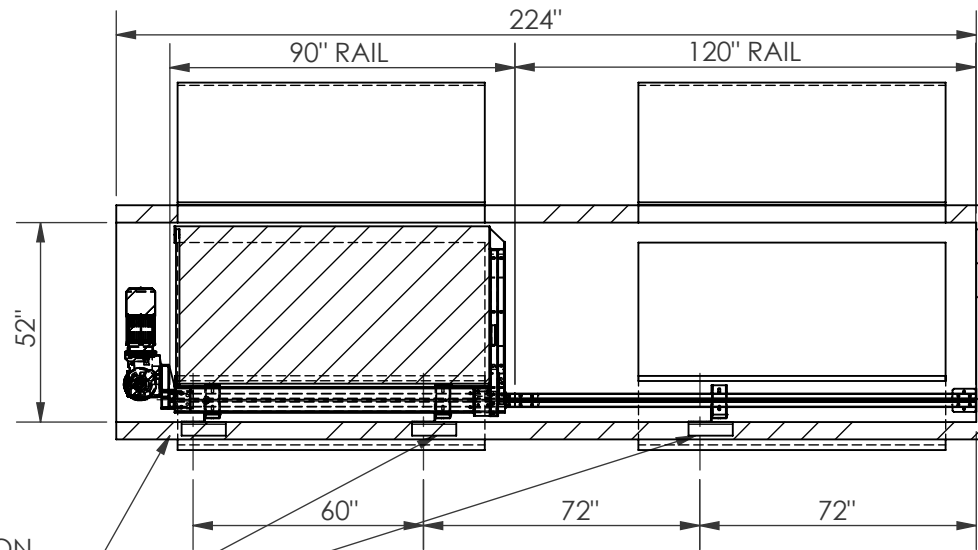
SIZE **A**

Nationwide Lifts
America's *leader* in home elevators.

PART NO.
36 X 60, TYPE 3

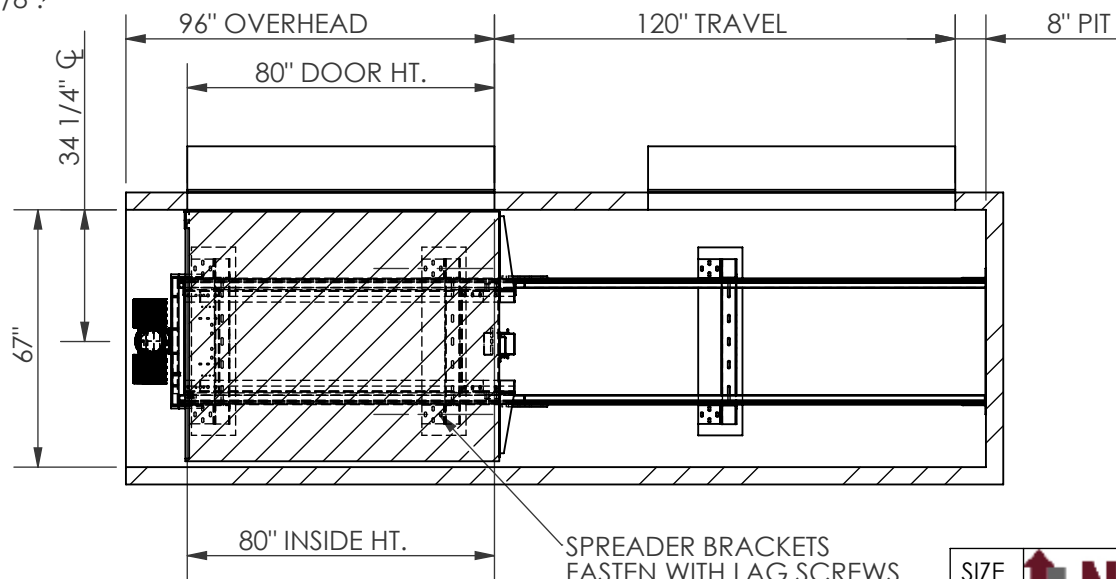
SHEET 1 OF 3

DESCRIPTION:
SWING DOORS, OVERHEAD DRUM



PROVIDE WALL CONSTRUCTION SUITABLE FOR ATTACHMENT OF RAIL BRACKETS AT SHOWN ELEVATION. MUST BE CAPABLE OF 300LB PULLOUT LOADING WITH MAX DEFLECTION OF 1/8".

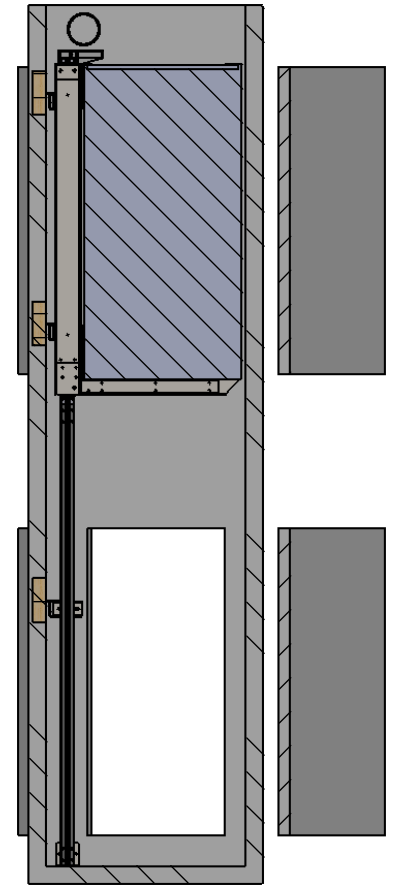
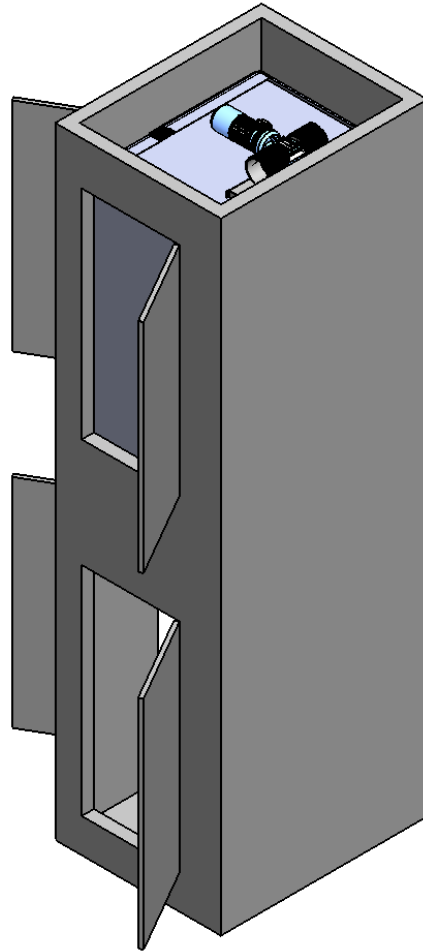
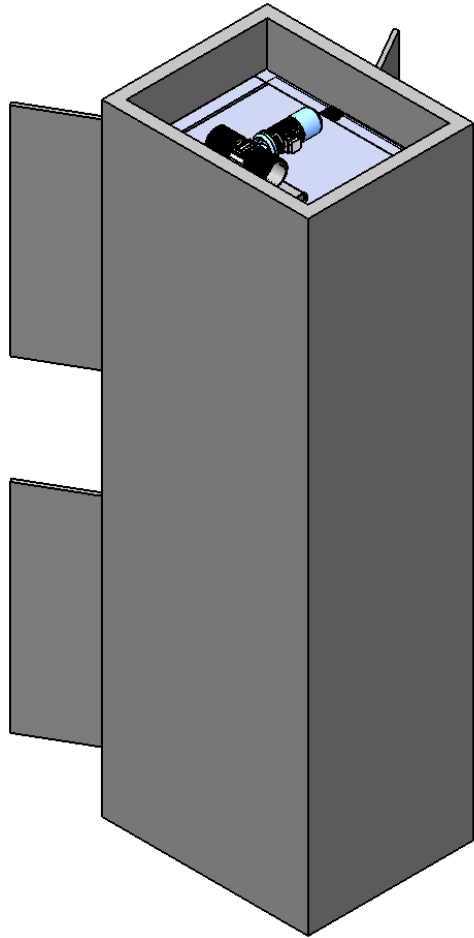
BRACKET LOCATIONS MAY VARY ACORDING TO TRAVEL



SPREADER BRACKETS FASTEN WITH LAG SCREWS 2 PLACES PER SIDE BRACKET

SIZE **A**  **Nationwide Lifts**
America's *leader* in home elevators.

PART NO.
36 X 60, TYPE 3
SHEET 2 OF 3
DESCRIPTION:
SWING DOORS, OVERHEAD DRUM



5




4

3

2

1

SIZE A	 Nationwide Lifts <i>America's leader in home elevators.</i>
PART NO. 36 X 60, TYPE 3	
SHEET 3 OF 3	
DESCRIPTION: SWING DOORS, OVERHEAD DRUM	