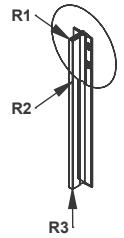
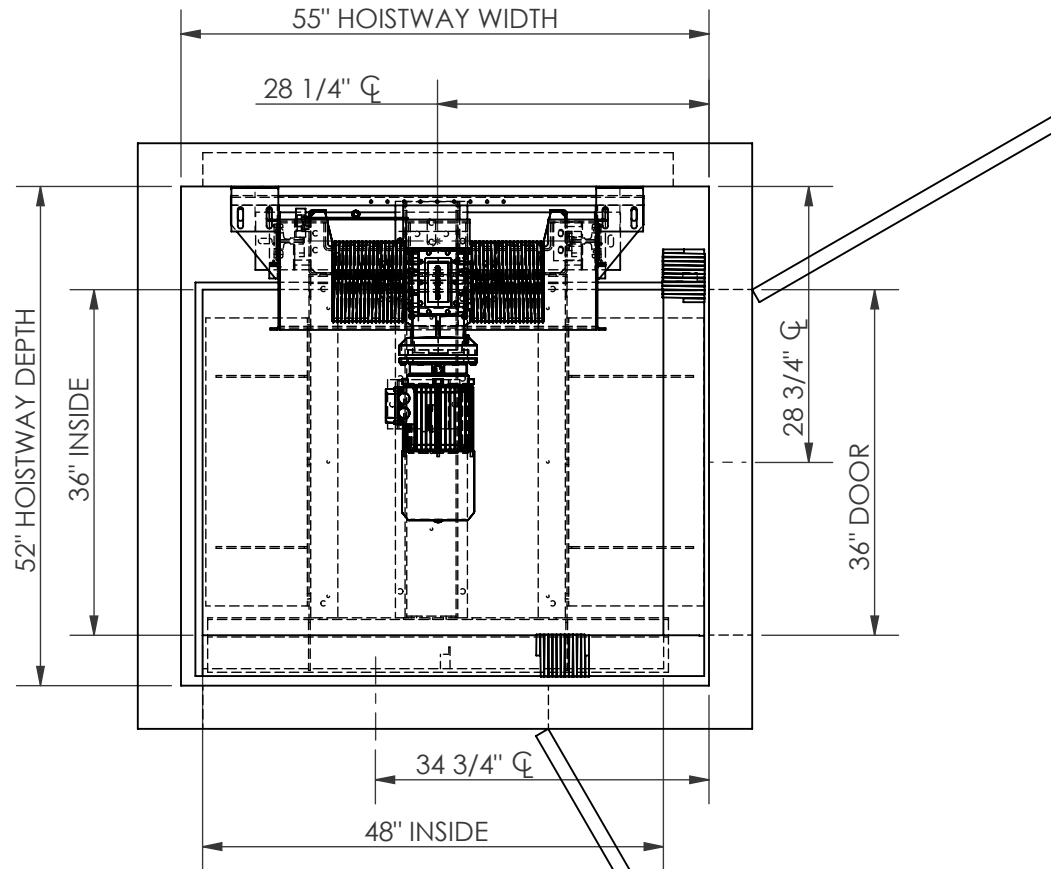
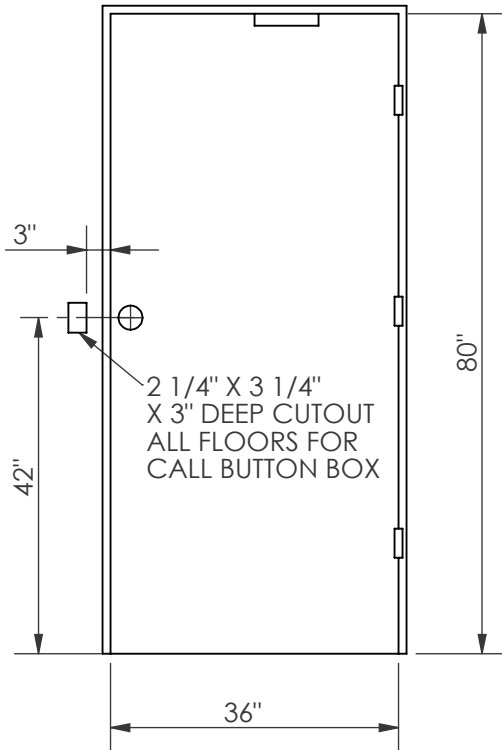
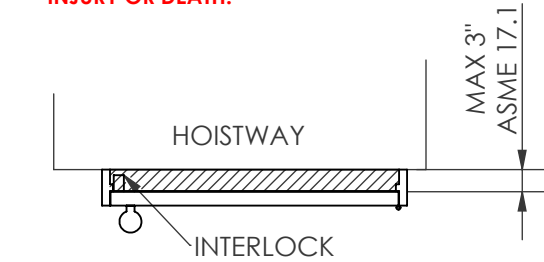


!WARNING!

SPACE BETWEEN DOOR AND HOISTWAY
MUST NOT EXCEED 3"

INTERLOCKS CONFORMING TO ASME A17.1
MUST BE INSTALLED AND ADJUSTED PER
THE MANUFACTURER'S INSTRUCTIONS.

**!FAILURE TO COMPLY
MAY RESULT IN SERIOUS
INJURY OR DEATH!**



RAIL WEIGHT: 8 lbs/ft

RAIL FORCES

*R1(Fx) 1075 lbs

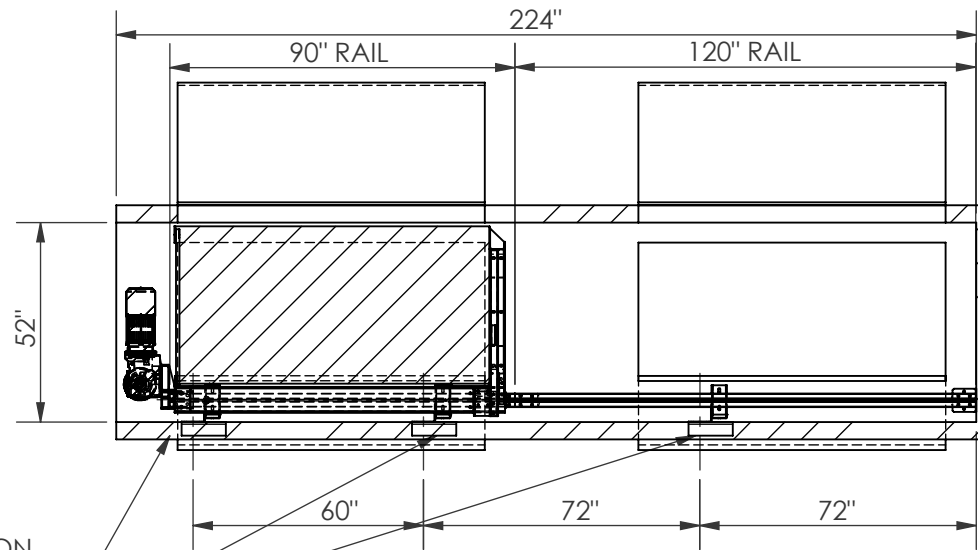
*R2(Fy) 358 lbs

R3(Fz) 2500 lbs

SIZE **A**  **Nationwide Lifts**
America's *leader* in home elevators.

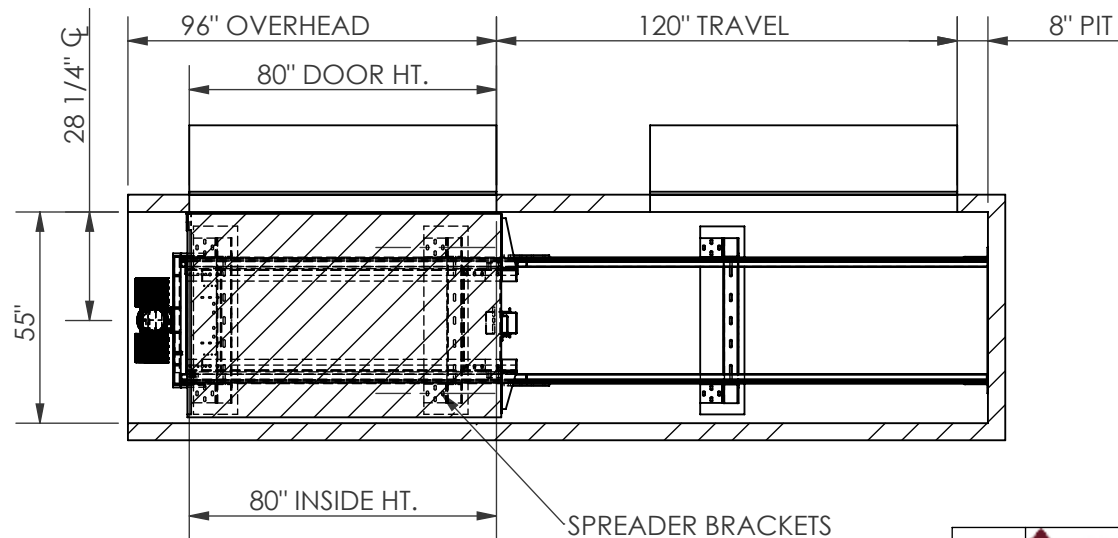
PART NO.
36 X 48, TYPE 3

SHEET 1 OF 3
DESCRIPTION:
SWING DOORS, OVERHEAD DRUM



PROVIDE WALL CONSTRUCTION SUITABLE FOR ATTACHMENT OF RAIL BRACKETS AT SHOWN ELEVATION. MUST BE CAPABLE OF 300LB PULLOUT LOADING WITH MAX DEFLECTION OF 1/8".

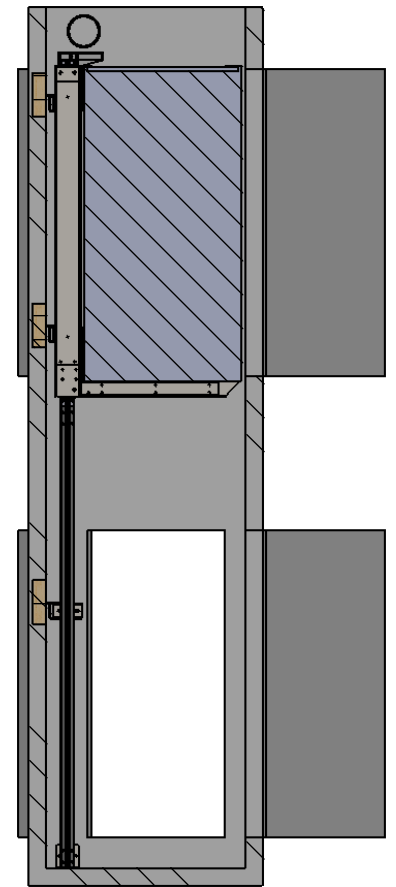
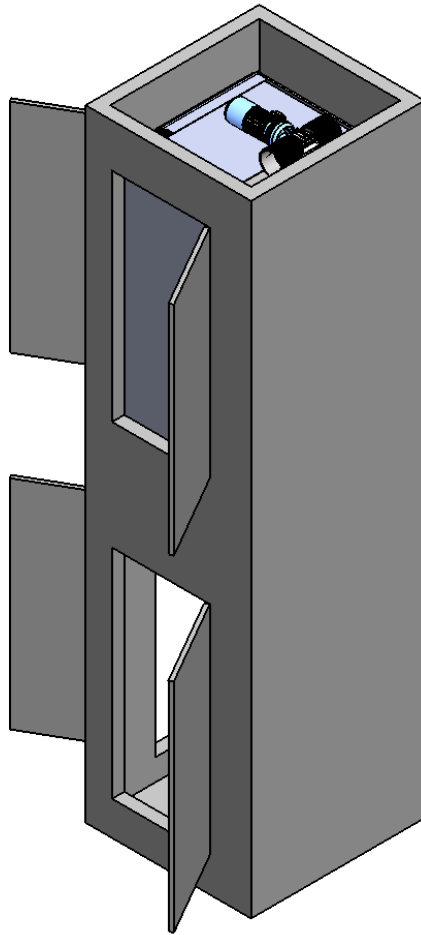
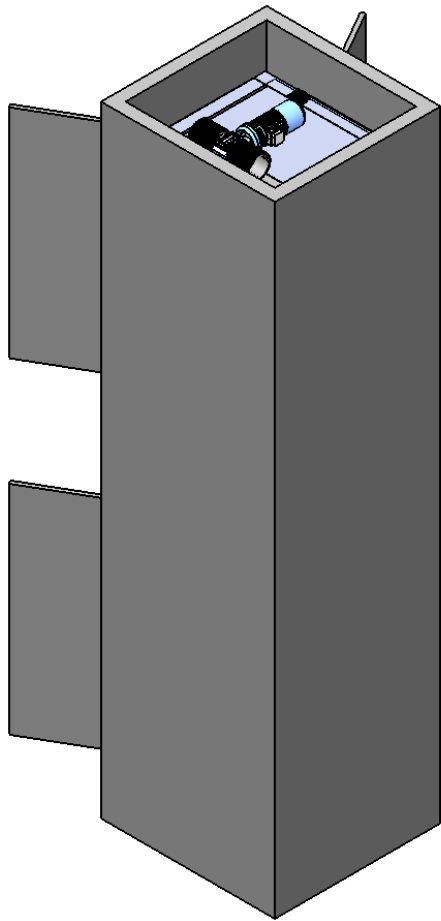
BRACKET LOCATIONS MAY VARY ACORDING TO TRAVEL




SPREADER BRACKETS FASTEN WITH LAG SCREWS 2 PLACES PER SIDE BRACKET

SIZE A	 Nationwide Lifts America's <i>leader</i> in home elevators.
------------------	---

PART NO.
36 X 48, TYPE 3
SHEET 2 OF 3
DESCRIPTION:
SWING DOORS, OVERHEAD DRUM



SIZE
A


Nationwide Lifts
America's leader in home elevators.

PART NO.
36 X 48, TYPE 3
 SHEET 3 OF 3
 DESCRIPTION:
 SWING DOORS, OVERHEAD DRUM

5

↑

4

3

2

1