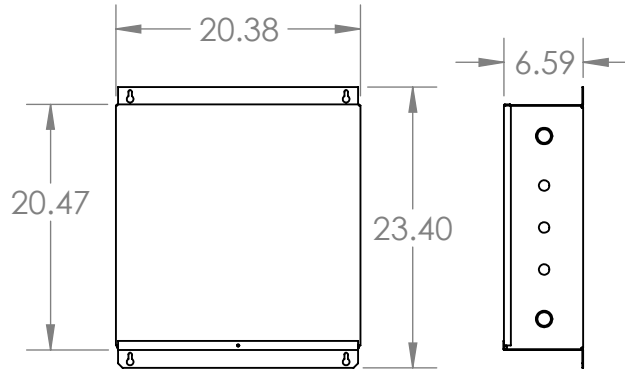
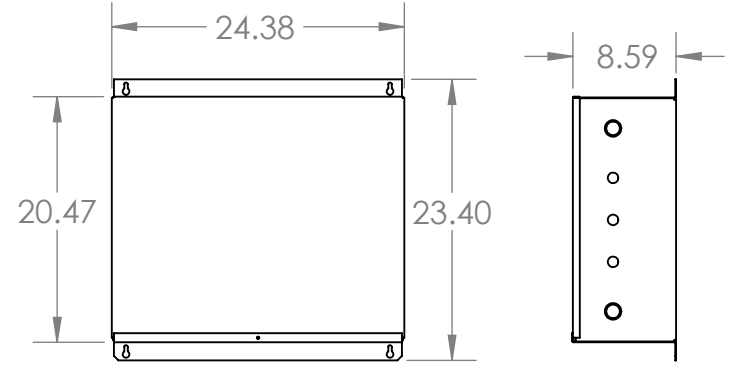


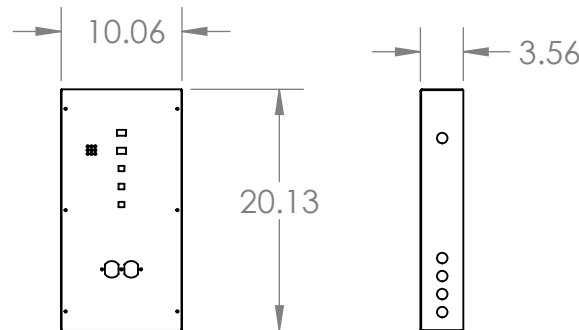
HYDRO PUMP TANK



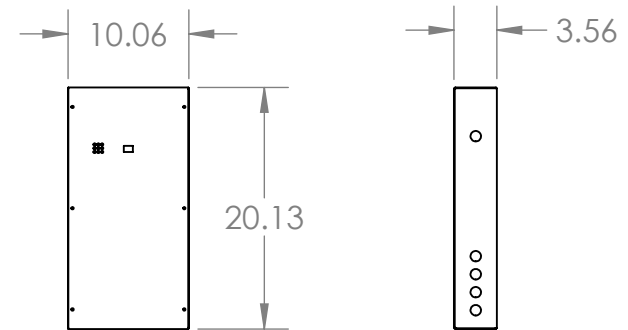
HYDRO CONTROLLER
20X20X6 NOMINAL



DRUM CONTROLLER
20X24X8 NOMINAL



CARTOP BOX W/ INSPECTION



STANDARD CARTOP BOX

PROPRIETARY AND CONFIDENTIAL

THE INFORMATION CONTAINED IN THIS DRAWING IS THE SOLE PROPERTY OF ELEVATOR CONCEPTS LTD. BY WURTEC. ANY REPRODUCTION IN PART OR AS A WHOLE WITHOUT THE WRITTEN PERMISSION OF ELEVATOR CONCEPTS LTD. BY WURTEC IS PROHIBITED.

	NAME	DATE
DRAWN	TLR	5/14/14
CHECKED	TLR	5/14/14

UNLESS OTHERWISE SPECIFIED:

SCALE: 1:16
DO NOT SCALE DRAWING

WEIGHT: N/A#

MATERIAL
N/A

FINISH
N/A

DIMENSIONS ARE IN INCHES
TOLERANCES:
STRAIGHTNESS: 0.00065 X LNG
FRACTIONAL ± 1/16
ANGULAR: ± 1/2°
ONE PLACE DECIMAL ± .015
TWO PLACE DECIMAL ± .010
THREE PLACE DECIMAL ± .005

SIZE

A



PART NO.

ANCILLARY EQUIPMENT
SHEET 1 OF 1

DESCRIPTION:

CONTROLLERS & HYDRO TANK

REV.	DESCRIPTION	DATE	APPROVED
5			
4			
3			
2			
1			