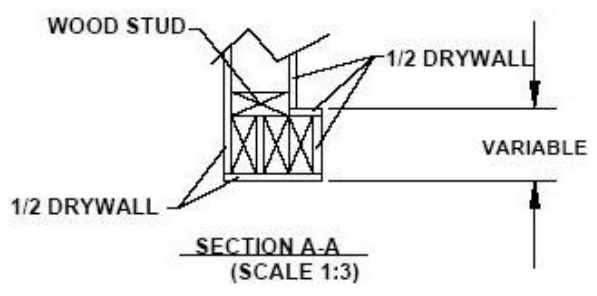
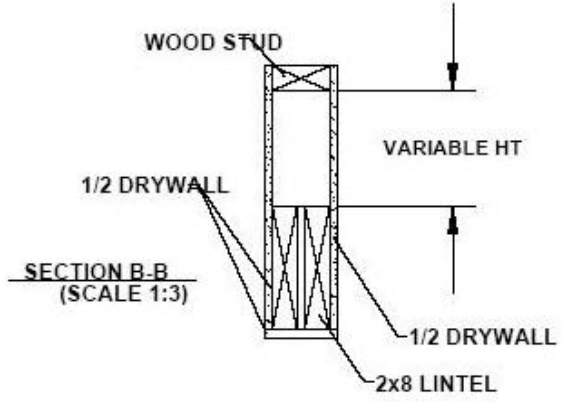
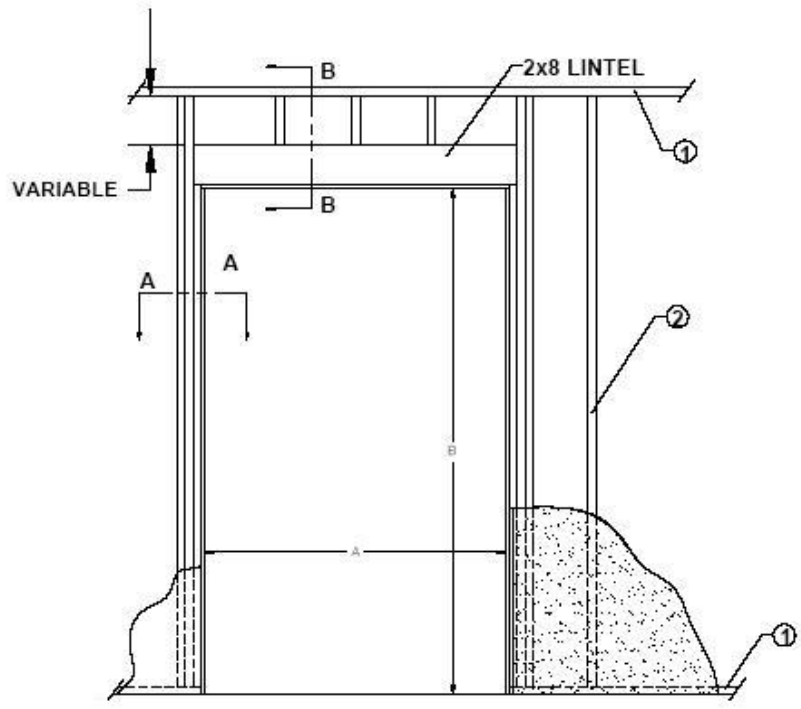


# Landing Door Opening Construction



Door Size	A Dimension	B Dimension
$35 \frac{1}{2}'' \times 78 \frac{3}{4}''$	46''	$86 \frac{3}{4}''$