

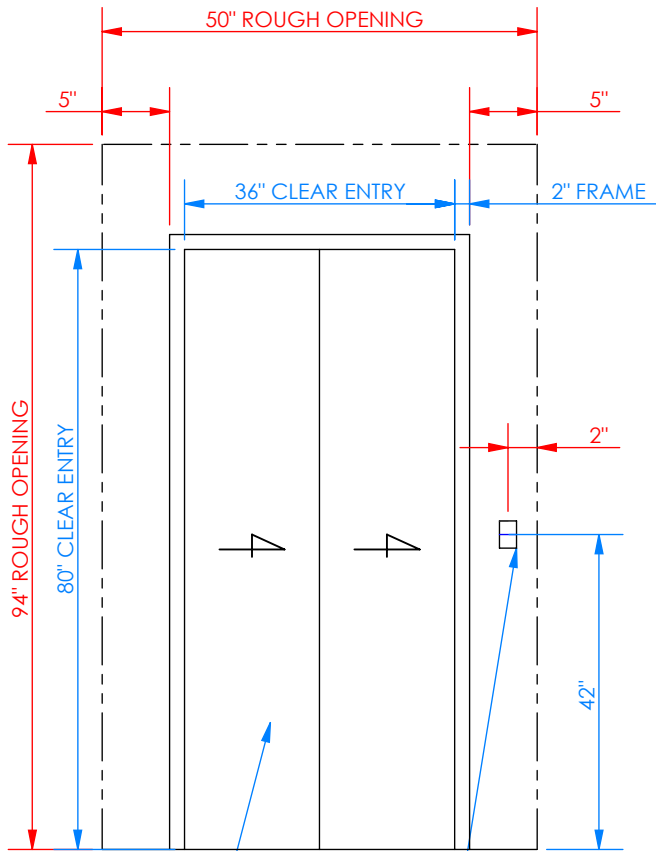
!WARNING!

SPACE BETWEEN DOOR AND HOISTWAY MUST NOT EXCEED 3"

INTERLOCKS CONFORMING TO ASME A17.1 MUST BE INSTALLED AND ADJUSTED PER THE MANUFACTURER'S INSTRUCTIONS.

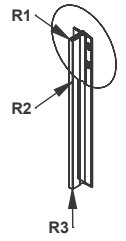
!FAILURE TO COMPLY MAY RESULT IN SERIOUS INJURY OR DEATH!

NOTE:
LEAVE ROUGH OPENING MIN 14" WIDER & 14" HIGHER THAN CLEAR OPENING, AS SHOWN.



2 SPD SIDESLIDE ENTRANCE

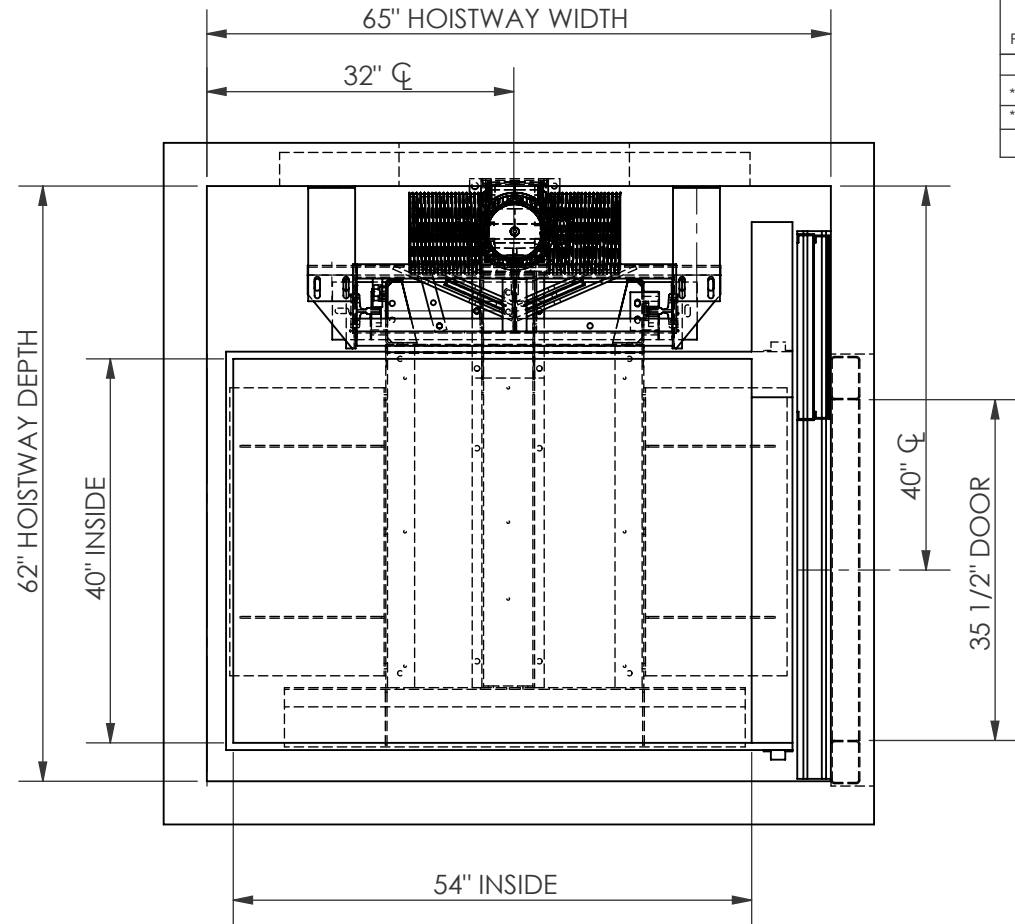
2 1/4" WIDE X 3 3/4" HIGH
3" DEEP CUTOUT ON ALL FLOORS FOR CALL BUTTON BOX



RAIL WEIGHT: 8 lbs/ft

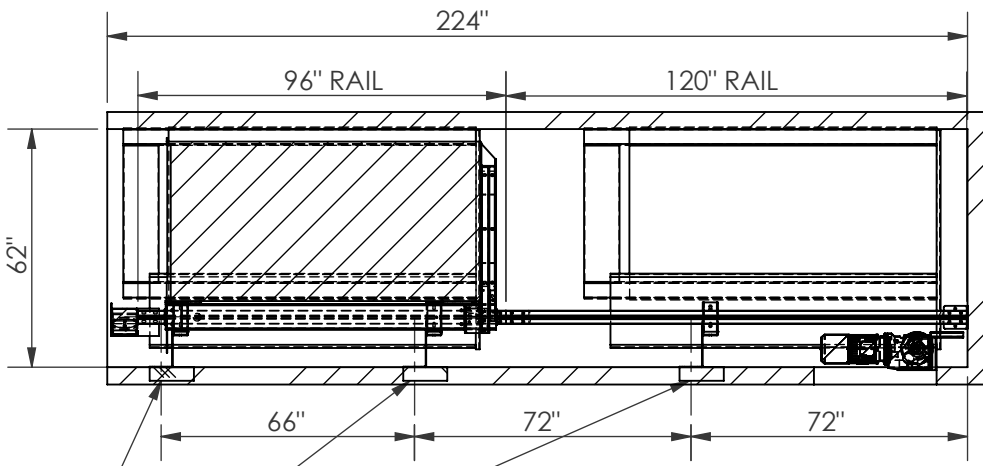
RAIL FORCES

*R1(Fx)	1075 lbs
*R2(Fy)	358 lbs
R3(Fz)	2500 lbs



SIZE **A**  **Nationwide Lifts**
America's *leader* in home elevators.

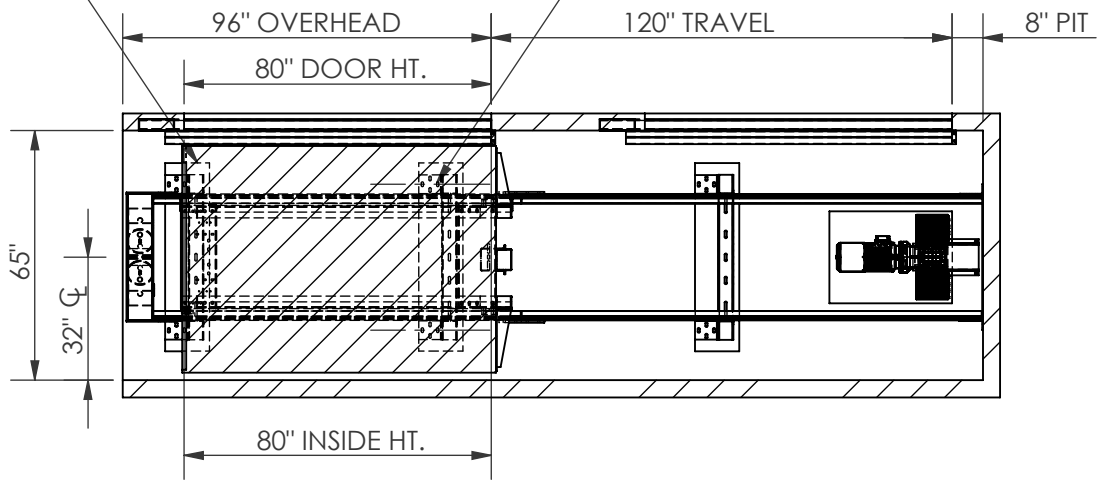
PART NO.
40 X 54, 1R
SHEET 1 OF 3
DESCRIPTION:
SLIDING DOORS, BASEMENT DRUM




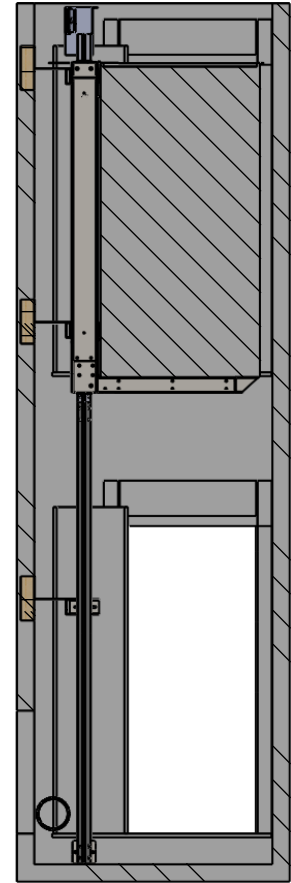
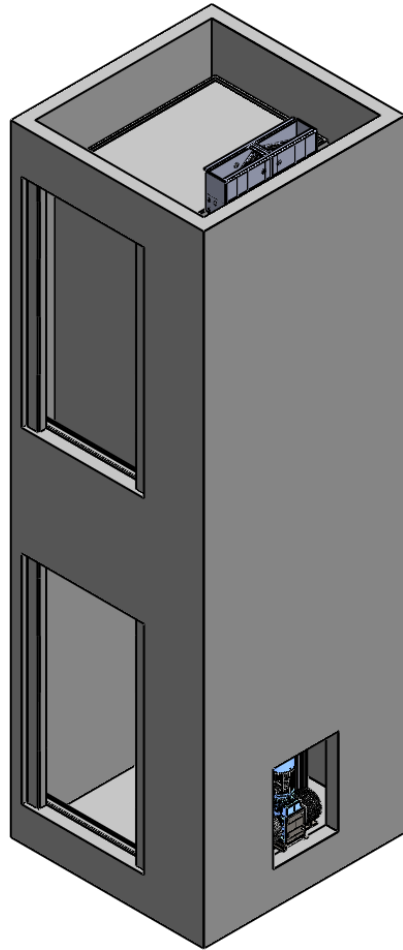
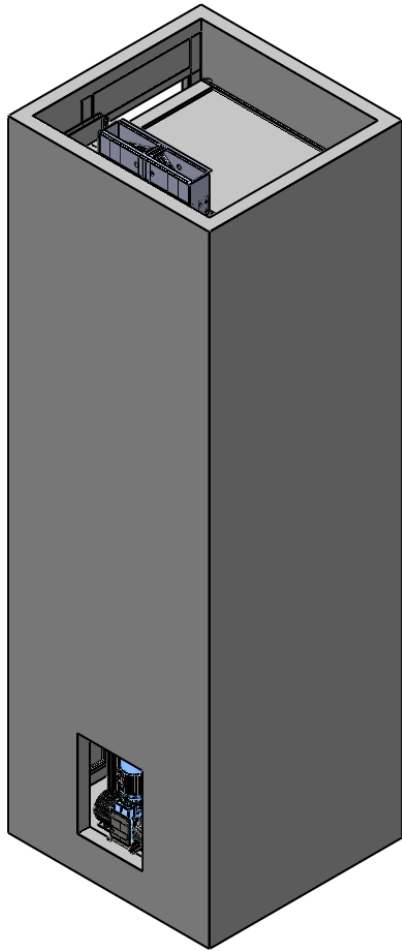
PROVIDE WALL CONSTRUCTION SUITABLE FOR ATTACHMENT OF RAIL BRACKETS AT SHOWN ELEVATION. MUST BE CAPABLE OF 300LB PULLOUT LOADING WITH MAX DEFLECTION OF 1/8".

BRACKET LOCATIONS MAY VARY ACORDING TO TRAVEL


SPREADER BRACKETS FASTEN WITH LAG SCREWS 2 PLACES PER SIDE BRACKET



SIZE	 <i>America's leader in home elevators.</i>
A	
PART NO.	40 X 54, 1R
SHEET 2 OF 3	
DESCRIPTION:	SLIDING DOORS, BASEMENT DRUM



SIZE
A

 **Nationwide Lifts**
America's leader in home elevators.

PART NO.
40 X 54, 1R

SHEET 3 OF 3

DESCRIPTION:
SLIDING DOORS, BASEMENT DRUM

5



4

3

2

1