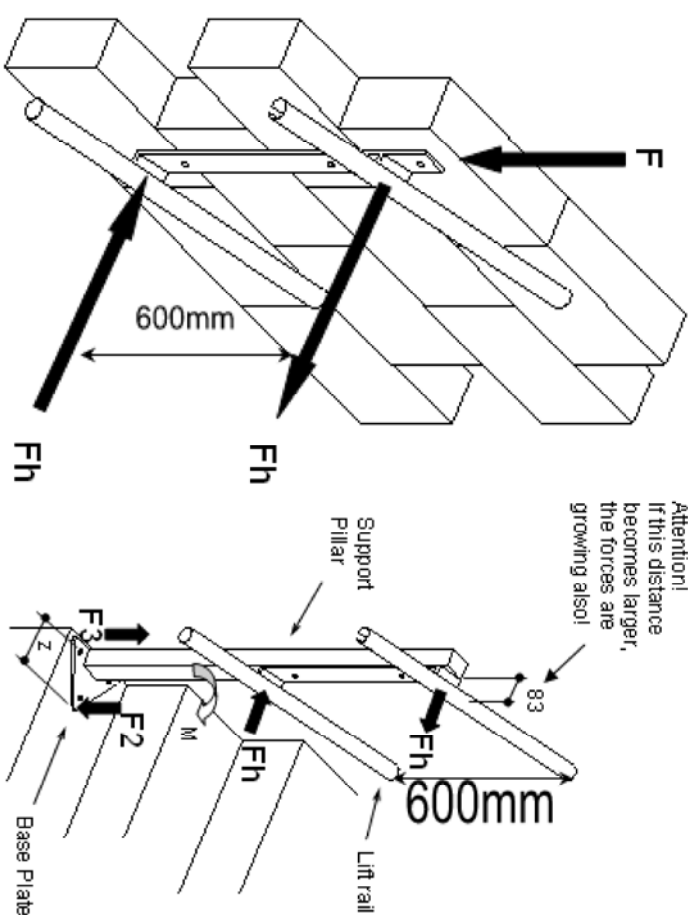
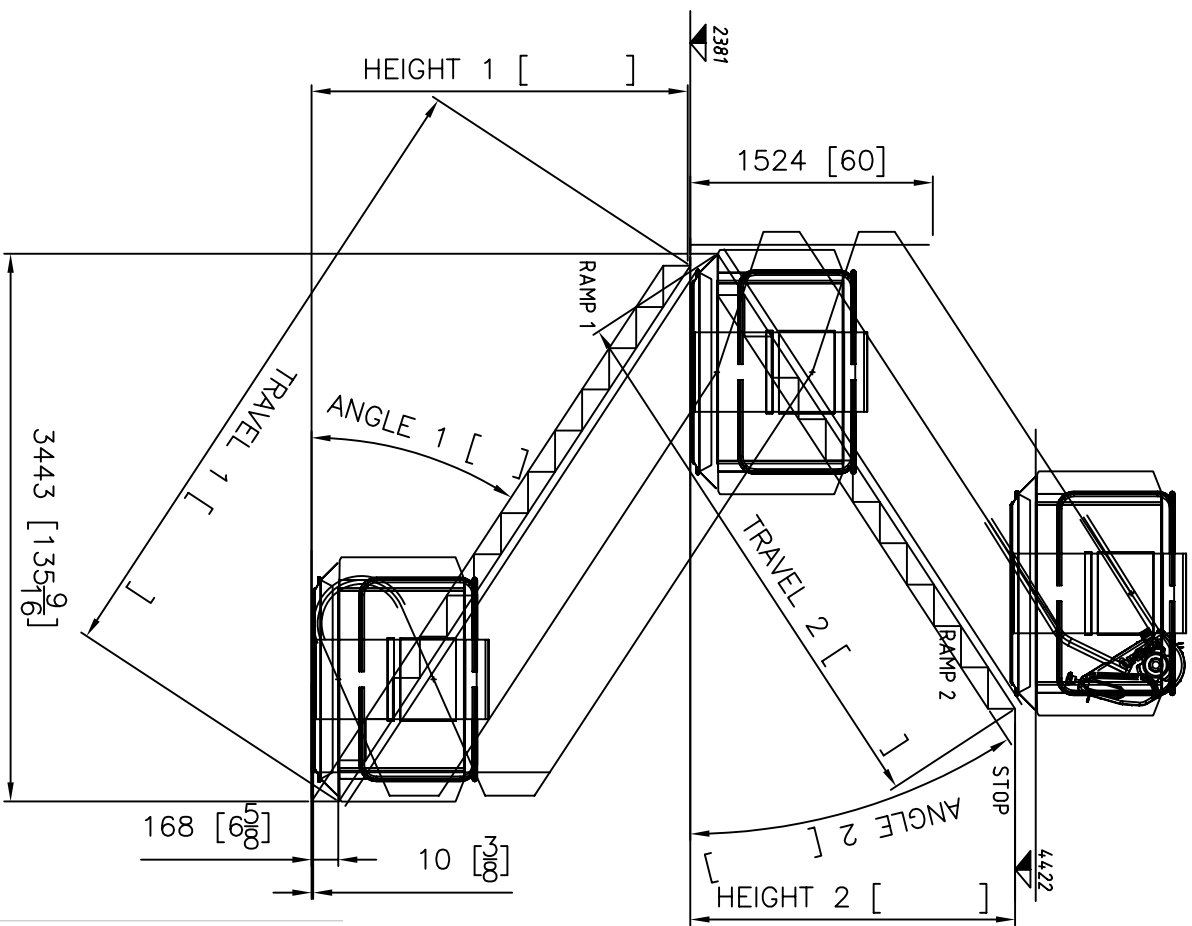


SUPPORT LOAD DIAGRAM

WALL BRACKET:

SELF SUPPORT POST:



F = 3700 N (831.8 lb _F)
Fh = 2768.4 (622.37 lb _F)

PILLAR FORCES	Z	F2	F3
BASE PLATE	150mm	13120N	9420N

SPECIFICATIONS

GENERAL

CLASSIFICATION: UNENCLOSED STAIRPLATFORM LIFT
 APPLIED CODE: ASME A18.1: Sec.6 (Priv.)/Sec.3 (Pub.) CSA B355
 MODEL: OMEGA
 CAPACITY: 550 lbs [250 kg]
 ONE PERSON IN WHEELCHAIR
 SPEED: 13.78 ft/min [0.07 m/s]
 PLATFORM SIZE: 30.5" x 49.25" [775x1250], 28.35" x 35.43" [720x900]
 POWER SUPPLY: 240V/15A/60HZ/SINGLE PHASE
 MOTOR: OMEGA: 1HP-3HP [0.75-2.25 kW], 110 VAC 60 HZ
 DRIVE SYSTEM: ROPE SPRCKET

CONTROLLER

MODEL: OMEGA
 TYPE: CPFS
 ETL #: 94307

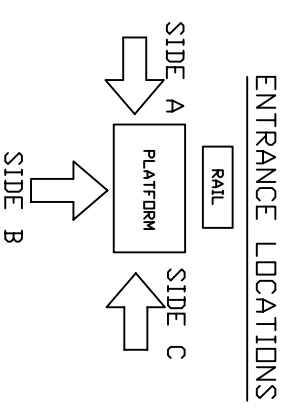
PROJECT INFORMATIONS

ACCESS TO PLATFORM: IN LINE / SIDE ACCESS
 SIDE OF INSTALLATION: LEFT / RIGHT
 NUMBER OF RAMPS: N
 ANGLE OF STAIRCASE: A °
 WIDTH OF STAIRCASE: xx mm [yy"]
 NOSE TO NOSE: xx mm [yy"]
 RAIL LENGTH: TBD
 RAIL WEIGHT: TBD
 NUMBER OF RISERS: 19 Kg/m
 AVERAGE RISER: xx mm [yy"]
 AVERAGE TREAD: xx mm [yy"]
 LOCATION: INDDOR / OUTDDOR
 TYPE OF INSTALLATION: INDDOR / OUTDDOR
 COLOR: PUBLIC
 RAL 7035, LIGHTEST GREY

OPTIONS AVAILABLE:

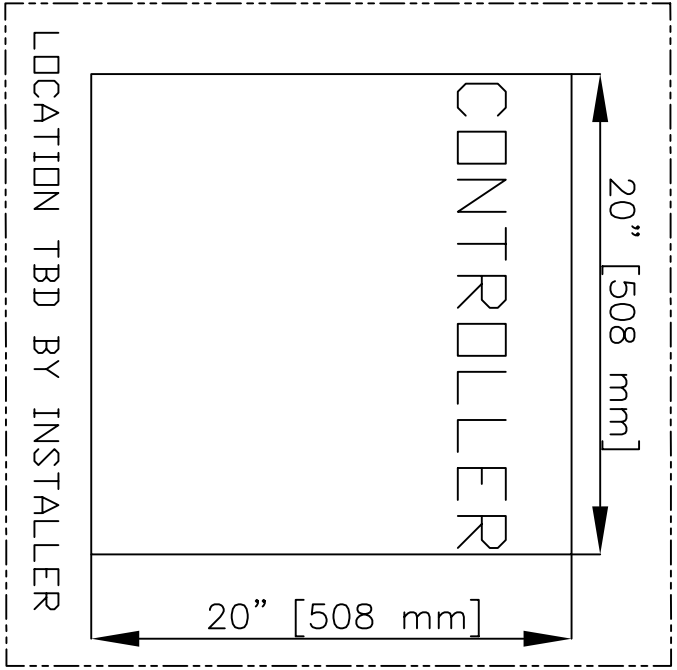
WALL BRACKET SUPPORT:
 SELF SUPPORT STAIR POST:
 INTERMEDIATE STOPS:
 90 DEGREE BEND:
 180 DEGREE BEND:
 HORIZONTAL BEND:
 STABILIZER (<20° BEND):
 FOLDING SEAT W/BELT:
 AUDIO/VISUAL ALARM:
 MOTORIZED SAFETY ARMS:
 FOLDING PLATFORM:
 OUTDDOR PACKAGE:
 INTERNATIONAL PACKAGING:
 FIRST INSTALLATION TOOLS:
 ENTRANCE SIDE / CALL STN. MOUNTING

LANDING 1	LANDING 2
Surface Mount	Surface Mount
C	A



INLINE ACCESS PLATFORM 775 X 1250
 90 DEGREE ACCESS PLATFORM 775 X 1250

- NOTE:
1. POST ADD 2.5" [63.5 mm]
 2. FOR 90° TURNS, ADD 7" [178 mm]



GENERAL ARRANGEMENT

CUSTOMER:	PROJECT:
ADDRESS:	COMPLETED BY:
DATE:	BISRAM
REVISION DATE:	JOB No.

Part No. **OMEGA**
 Variant No. **N/A**

 SHEET No. **1 OF 1**