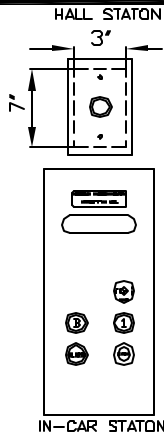
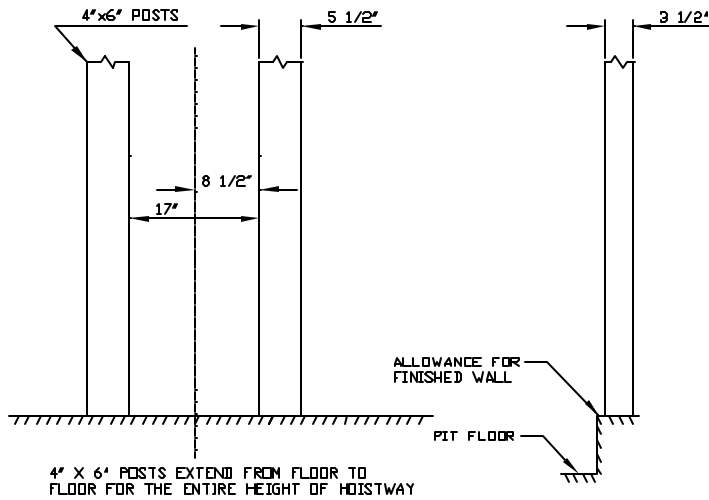


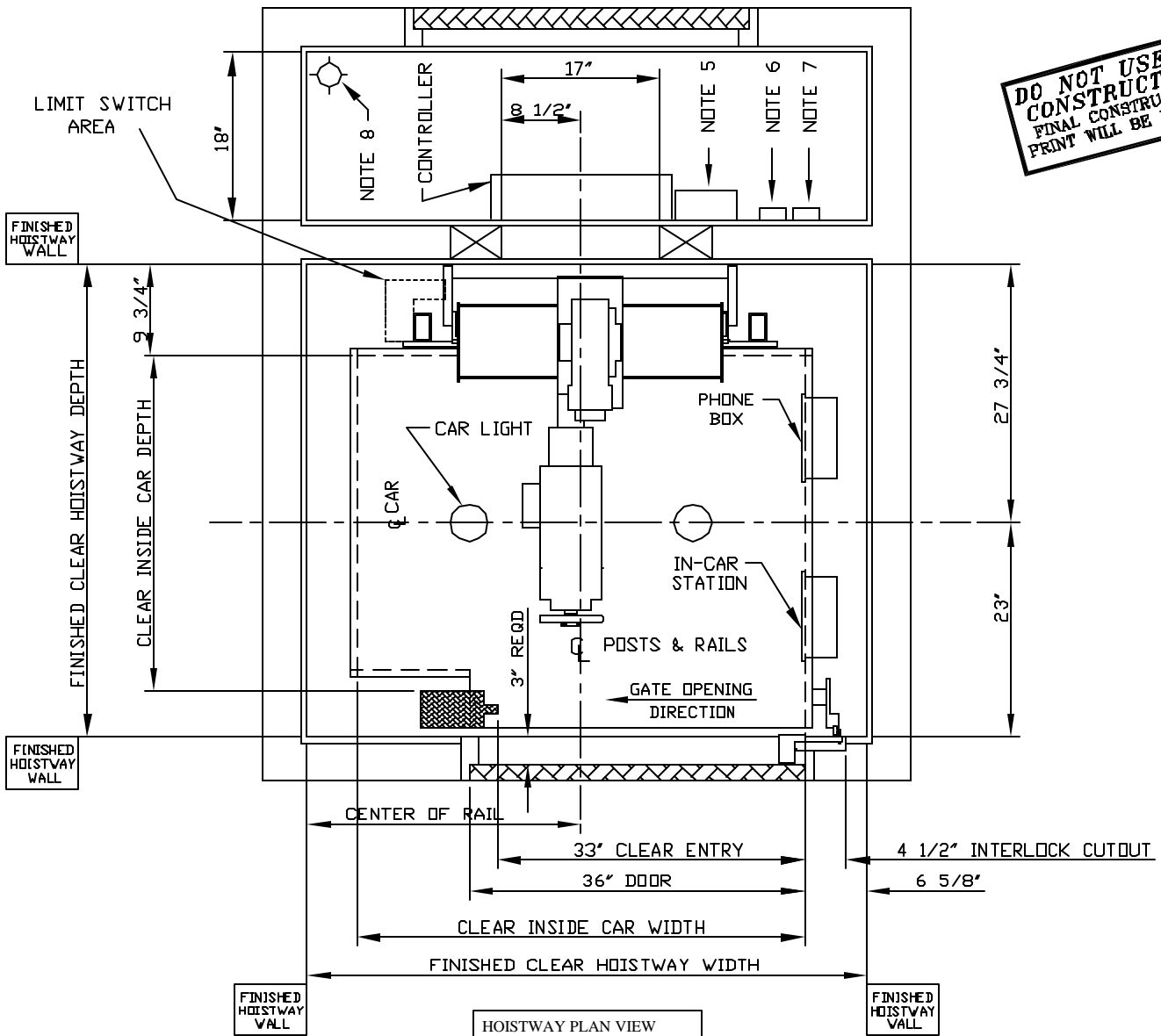
OPERATING CONTROLS  
(TYPICAL)



RAIL SUPPORT DETAIL



**DO NOT USE FOR  
CONSTRUCTION  
FINAL CONSTRUCTION  
PRINT WILL BE PROVIDED**



HOISTWAY PLAN VIEW

CAR SIZE	HOISTWAY WIDTH	HOISTWAY DEPTH	CENTER OF RAIL
48" W X 36" D	60"	50 3/4'	29 3/8"
60" W X 36" D	72"	50 3/4'	35 3/8"

**AMERICAN CRESCENT / MATOT**

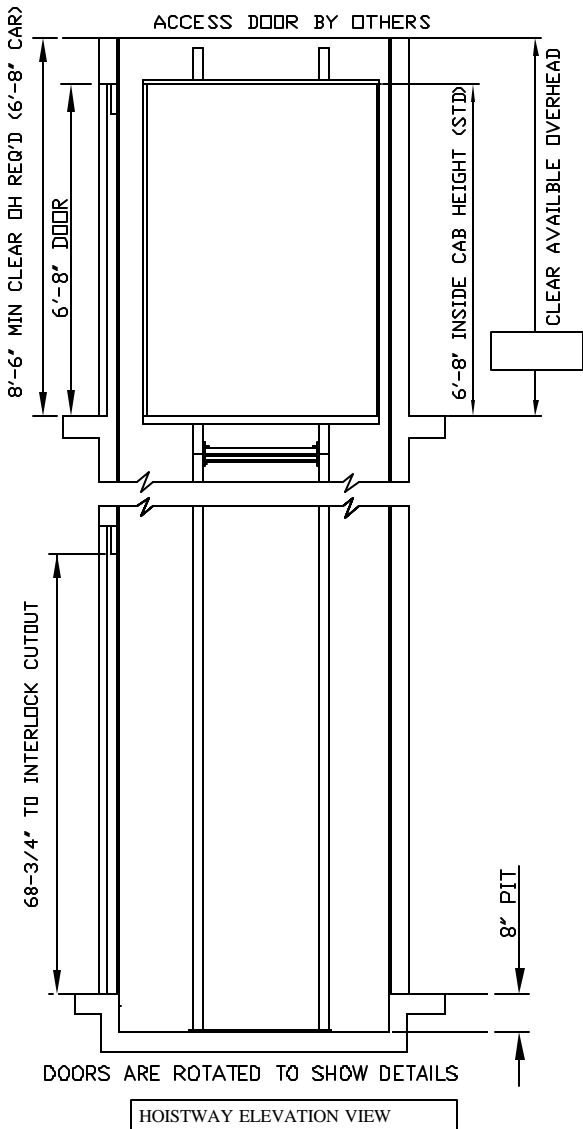
PHONE: (601) 798-9392      PHONE: (708) 547-1888  
FAX: (601) 798-9444      FAX: (708) 547-1608

DRAWING NO.

SCALE:

DO1RRL-WP

NO SCALE



**WORK DONE BY OTHERS**

- (1) A suitable, legal, 2 hour rated, hoistway must be provided plumb and square within 1/16" for every 10' of travel. Hoistway must be free of all obstructions. Hoistway floor must be level.
- (2) Suitable, legal, 1-1/2' fire rated hoistway entrance doors and a machine access door must be provided. Entrance doors and associated framing to be provided and installed after the elevator is set in place. Door closers are recommended.
- (3) The front wall of the hoistway, for the entire width of the hoistway, at least 8'-0" high, is to be left open until the elevator car is installed.
- (4) Clearance between the hoistway doors and the car sill must not exceed 3" and the clearance between the hoistway door and the closed car gate must not exceed 5" per ANSI/ASME Elevator Code A17.1 - 1990. Check local codes provisions which may take precedence.
- (5) A fused, lockable, 3 pole, 240VAC, 30 amp, disconnect switch is to be provided.
- (6) A separate 120VAC, 15 amp, single phase power supply with a fused, lockable switch or circuit breaker must be provided and brought to the elevator controller for the car lights.
- (7) An outside telephone line must be provided and brought to the controller.
- (8) A suitable machine room, with a 120VAC convenience outlet, a light and a light switch must be provided. Machine room lighting must be maintained at a minimum of 10 foot-candles.
- (9) A pit of correct dimensions and suitable load bearing capacity must be provided on the lowest level as shown on the final drawings
- (10) Structural load requirements: 1800lbs. vertical on pit floor, 50lbs. horizontal at each wall bracket.

**MECHANICAL AND CAR SPECIFICATIONS**

ESTIMATED MACHINE WEIGHT = 250 LBS      CAPACITY: 750 LBS  
 MAXIMUM CAR WEIGHT (INCLUDING CAR CAPACITY) = 1400 LBS

**JOB SPECIFICATIONS**

MACHINE TYPE:	WINDING DRUM ABOVE
MOTOR:	3 HP, 220 V, 1 PH, 60 HZ
AMPERAGE:	STARTING 78    RUNNING 15
CAB DESIGN	
ENTRANCE TRIM	
WALL FINISH	
GATE	
HANDRAIL	
FLOORING	
PHONE	
HOISTWAY DOORS	BY OTHERS
FIXTURE FINISH	
CAR CEILING	WHITE MELAMINE
MISC. CAR OPTIONS	

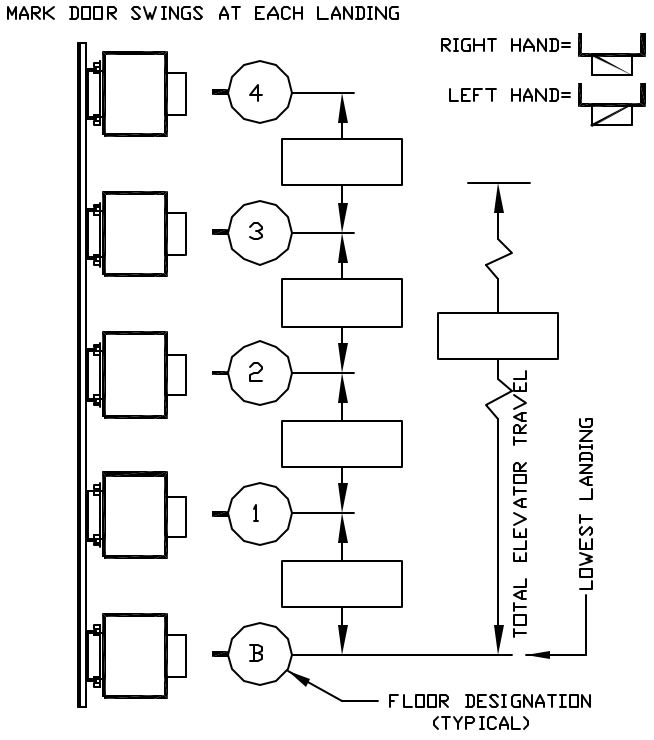
PROJECT: \_\_\_\_\_ ELEVATOR CONTRACTOR: \_\_\_\_\_

NO.	REVISIONS	DATE	BY
A			
B			
C			

**AMERICAN CRESCENT / MATOT**  
 PHONE: (601) 798-9392    PHONE: (708) 647-1888  
 FAX: (601) 798-9444    FAX: (708) 547-1608

DATE: 4/12/02      SCALE: NO SCALE  
 DRAWING NO. DO1RRL-WP

**TRAVEL/DOOR LOCATIONS & SWINGS/FLOOR DESIGNATIONS**



THIS IS A TYPICAL DRAWING. CONTACT YOUR AMERICAN CRESCENT/MATOT SALES REPRESENTATIVE FOR PROJECT SPECIFIC DRAWINGS. DIMENSIONS ARE SUBJECT TO CHANGE WITHOUT NOTICE.